



# 2-Bottle Wine Preserver and Cooler



User Manual

Model # 272 03 888 0X

X = 3 (Right Hinge), X = 4 (Left Hinge)

**PLEASE READ THIS MANUAL CAREFULLY BEFORE INSTALLING AND OPERATING**

# IMPORTANT SAFEGUARDS

**When using this appliance, always exercise basic safety precautions, including the following:**

- 1. Read all of the instructions before using this appliance.**
2. This appliance is not intended for use by persons (including children) with reduced physical, sensory or mental capabilities, or lack of experience and knowledge, unless they have been given supervision or instruction concerning use of the appliance by a person responsible for their safety.
3. Children should be supervised to ensure that they do not play with the appliance.
4. Use this appliance only for its intended purpose as described in this use and care guide.
5. This wine cooler must be properly installed in accordance with the installation instructions before it is used. See grounding instructions in the installation section.
6. Never unplug your wine cooler by pulling on the power cord. Always grasp the plug firmly and pull straight out from the outlet.
7. Unplug your wine cooler before cleaning or before making any repairs. **Note:** If for any reason this product requires service, we strongly recommend that a certified technician performs the service.
8. The SUPPLY CORD cannot be replaced. If the cord is damaged the appliance should be scrapped.
9. This appliance is designed for free standing installation only.
10. If your old wine cooler is not being used, we recommend that you remove the door and leave the shelves in place. This will reduce possibility of danger to children.
11. Do not operate your wine cooler in the presence of explosive fumes.
12. Do not store foods in wine cooler as interior temperature may not be cool enough to prevent spoilage or may cause bacteria growth.



13. Do not store explosive substances (such as aerosol cans with a flammable propellant) in this appliance.

14. Only dispose of this appliance in accordance with local and federal regulations. This appliance contains flammable insulation material.

## **SAVE THESE INSTRUCTIONS**

### **DANGER**

**Risk of child entrapment.**

**Before you throw away your old wine cooler, take off the doors.**

**Leave the shelves in place so that children may not easily climb inside.**

Thank you for using our Wine Enthusiast product. This easy-to-use manual will guide you in getting the best use of your wine cooler. Please remember to record the model and serial number, they are on a label on the back of the wine cooler.

---

Model number

---

Serial number

---

Date of purchase

Staple your receipt to your manual.

**You will need the receipt to obtain warranty service.**



## **Table of Contents**

|   |           |
|---|-----------|
| <b>IMPORTANT SAFEGUARDS .....</b>                       | <b>2</b>  |
| <b>Wine Cooler Features and Use .....</b>               | <b>6</b>  |
| Initial Setup .....                                     | 6         |
| Temperature Adjustment .....                            | 6         |
| <b>Parts and Features.....</b>                          | <b>7</b>  |
| <b>Operating Your Wine Preserver &amp; Cooler .....</b> | <b>8</b>  |
| <b>Setting the Temperature .....</b>                    | <b>8</b>  |
| <b>Interior Light. ....</b>                             | <b>8</b>  |
| <b>Vacuum Function.....</b>                             | <b>8</b>  |
| Before You Start .....                                  | 9         |
| <b>Technical Data .....</b>                             | <b>10</b> |
| <b>Proper Wine Cooler Care and Cleaning .....</b>       | <b>11</b> |
| <b>Troubleshooting.....</b>                             | <b>13</b> |
| <b>Limited Warranty.....</b>                            | <b>15</b> |



## Electrical Requirement

- Make sure there is a suitable power Outlet (115 volts, 15 amps outlet) with proper grounding to power the wine cooler.
- Avoid the use of three plug adapters or cutting off the third grounding in order to accommodate a two-plug outlet. This is a dangerous practice since it provides no effective grounding for the wine cooler and may result in shock hazard.

## Install Limitations

- Do not install your wine cooler in any location not properly insulated or heated e.g. garage etc.
- Allow at least 2 inches of space on the sides and 4 inches on the back and top for proper air circulation and cooling performance.
- It is recommended that you keep the wine cooler in a place where the ambient temperature is below 75°F. In order to reach the lowest temperature, the best ambient temperature will be around 60-65°F.
- Select a suitable location for the wine cooler on a hard and even surface away from direct sunlight or heat source e.g. radiators, baseboard heaters, cooking appliances etc. Any unevenness should be corrected with the leveling legs located on the front corners of the wine cooler.
- This appliance is designed for free standing installation only.
- This appliance is intended to be used in household and similar applications:
  - Staff kitchen areas in shops, offices and other working environments;
  - Farmhouses and by clients in hotels, motels and other residential type environments;
  - Bed and breakfast type environments;
  - Catering and similar non-retail applications.



## Use of Extension Cords

- Avoid the use of an extension cord because of potential safety hazards under certain conditions. If it is necessary to use an extension cord, use only a 3-wire extension cord that has a 3-blade grounding plug and a 3-slot outlet that will accept the plug. The marked rating of the extension cord must be equal to or greater than the electrical rating of the appliance.

## Wine Cooler Features and Use

### Initial Setup

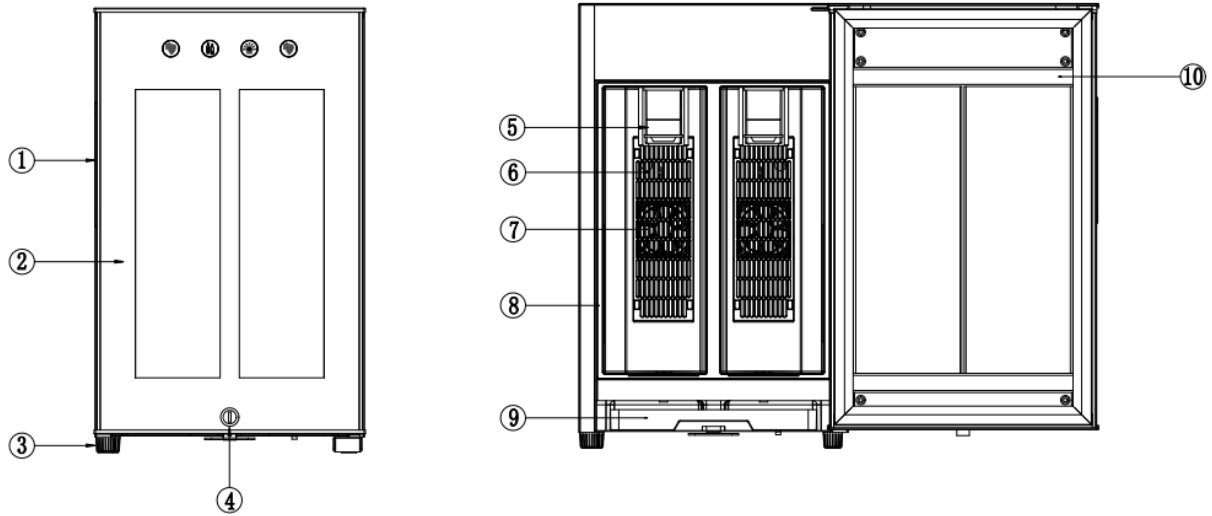
- Before connecting the wine cooler to the power source, let it stand upright for approximately **2 hours**. This will reduce the possibility of a malfunction in the cooling system from handling during transportation.
- Once you have plugged the unit into an electrical outlet, let the unit run for at least 30 minutes to acclimate before making any adjustments.

### Temperature Adjustment

- When the wine cooler is plugged in, it is required to set the temperature for both zones, then the unit will work.
- The wine cooler can be set to the temperature 46F (white color), 54F (blue color) and 61F (red color) for each zone. You can press the temperature setting button of each zone to set the temperature or power off.
- It is recommended that you keep the wine refrigerator in a place where the ambient temperature is below 75°F. In order to reach the lowest temperature, the best ambient temperature will be around 60-65°F.



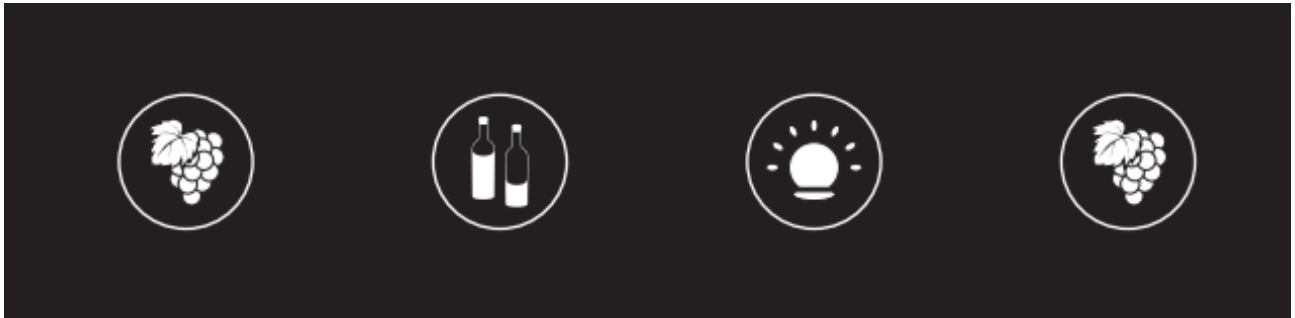
# Parts and Features



- 1. Integrated Handle
- 2. Glass Door
- 3. Feet (4)
- 4. Lock
- 5. Vacuum Seal
- 6. Fan Cover (2)
- 7. Cooling Fan (2)
- 8. LED Light
- 9. Drip Tray
- 10. Door Gasket/Seal

# Operating Your Wine Preserver & Cooler

Each wine preserver & cooler includes a control panel on the front of the unit. This includes several features to operate and control the temperature.



**Set the temperature of the left zone**



**Vacuum function**



**Illuminates or Extinguishes the Interior Light**



**Set the temperature of the right zone**

**Setting the Temperature:** Repeatedly press the temperature set buttons to scroll through the 3 temperature setting options: 46°F (button illuminates white), 54°F (button illuminates blue) and 61°F (button illuminates red)

**Interior Light:** Repeatedly press to scroll through the light options: White light, Amber light and Off (no light).

**Vacuum Function:** Green constant light - Vacuum normal, Green flashing slowly – vacuum function operating properly, Green flashing fast - Vacuum function malfunction.



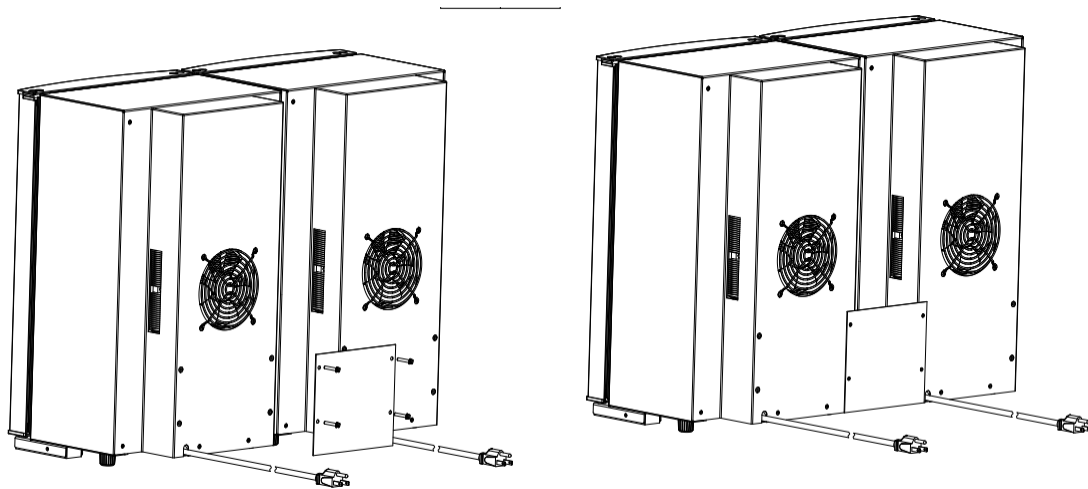


## Before You Start

The wine cooler should be placed in a location where the ambient temperature is between 60-75°Fahrenheit. If the ambient temperature is above or below this range, the performance of the unit may be affected. For example, placing your unit in extreme cold or hot conditions may cause interior temperatures to fluctuate.

## Assemble Two Units Together

- To assemble two units together, get out the assembled bracket and four screws outside. Fix the bracket with two screws to the back of each unit as following picture.



## Technical Data

| <b>Model #272 03 88 03/04</b>    | <b>2-Bottle Preserver &amp; Wine Cooler</b> |
|----------------------------------|---|
| <b>Total Volume</b>              | 0.28 Cu. Ft.                                |
| <b>Installation</b>              | Free-Standing Only                          |
| <b>Power</b>                     | 110-120V~60Hz                               |
| <b>Current</b>                   | 2A  |
| <b>Protection Class</b>          | I   |
| <b>Climate Class</b>             | SN ; N                                      |
| <b>Power Consumption</b>         | 0.38kW.h/24h (@89.6°F/46°F)                 |
| <b>Input Power</b>               | 55W   |
| <b>Ambient Temperature</b>       | 60° - 80°F                                  |
| <b>Temperature Control Range</b> | 46°F, 54°F, 66°F (Left Zone)                |
|                                  | 46°F, 54°F, 66°F (Right Zone)               |
| <b>Approx. Net Weight</b>        | 34.18 LBS                                   |
| <b>Dimensions (W x D x H)</b>    | 12.8" X20.95"X12.4"                         |



Conforms to UL STD. 60335-1 and 60335-2-24  
 Certified to CSA Std.C22.2 # 60335-1 and 60335-2-24



# Proper Wine Cooler Care and Cleaning

## Cleaning and Maintenance

**Warning:** To avoid electric shock always unplug your wine cooler before cleaning.

Ignoring this warning may result in death or injury.

**Caution:** Before using cleaning products, always read and follow manufacturer's instructions and warnings to avoid personal injury or product damage.

**General:**

- Prepare a cleaning solution of 3-4 tablespoons of baking soda mixed with warm water. Use sponge or soft cloth, dampened with the cleaning solution, to wipe down your wine cooler.
- Rinse with clean warm water and dry with a soft cloth.
- Do not use harsh chemicals, abrasives, ammonia, chlorine bleach, concentrated detergents, solvents or metal scouring pads. Some of these chemicals may dissolve, damage and/or discolor your wine cooler.

## Fan Filters

On the back of the wine cooler, covering the fans, are two filters which should be cleaned every 3 months to ensure proper performance. Gently wipe the fan filter with cleaning solution.

## Mold on the Interior

Microscopic mold spores are naturally occurring and present in the ambient air. When mold gets in your wine cooler it may grow within



the humid environment. Removal can be completed with mild solutions of commonly available products such as Borax, vinegar, or baking soda.

### **Door Gaskets:**

- Clean door gaskets every three months according to general instructions. Gaskets must be kept clean and pliable to assure a proper seal.
- Petroleum jelly applied lightly on the hinge side of gaskets will keep the gasket pliable and assure a good seal.

### **Power Interruptions**

- Occasionally there may be power interruptions due to thunderstorms or other causes. Remove the power cord from AC outlet when a power outage occurs. When power has been restored, **wait 3 to 5 minutes** then re-plug the power cord to AC outlet.

### **Vacation and Moving Care**

- For long vacations or absences, unplug the wine cooler and clean the wine cooler and door gaskets according to "General cleaning" section. Leave doors open, so air can circulate inside.
- When moving always move the wine cooler vertically. Do not move with the unit lying down.

**Note:** After moving, wait for 2 hours before plugging in the wine cooler.



# Troubleshooting

Many common issues with your wine cooler can be easily solved. Try the troubleshooting tips below if you experience any problems.

## **Wine Cooler Does Not Operate:**

- Check if wine cooler is plugged in.
- Check if there is power in the AC outlet, by checking the circuit breaker.

## **Wine appears too warm:**

- Frequent door openings.
- Allow time for recently added wine to reach desired temperature.
- Check gaskets for proper seal.
- Adjust temperature control to colder setting.

## **Wine temperature is too cold:**

- If temperature control setting is too cold, adjust to a warmer setting.

## **Wine cooler runs too frequently:**

- This may be normal to maintain constant temperature during high temperature and humid days.
- Doors may have been opened frequently or for an extended period of time.
- Check gasket for proper seal.



- Check to see if doors are completely closed.

**Moisture build-up on interior or exterior of the wine cooler:**

- This is normal during high humidity periods.
- Prolonged or frequent door openings.
- Check door gaskets for proper seal.

**Wine cooler door does not shut properly:**

- Level the wine cooler.
- Check for blockages e.g. wine bottles, shelves.

**Wine cooler does not vacuum properly:**

- Check if the wine bottle places correctly.



# Limited Warranty

## This Warranty Covers Appliances Within The Continental United States Only.

**Length of Warranty:** This Limited Warranty lasts for one (1) year from date of receipt of purchase of the wine cooler ("Limited Warranty Period"). Extended warranties may be available for an additional cost at the time of purchase or up to 30 days from date of purchase. These extended warranties would extend this one (1) year limited warranty to two (2) years. Details about our extended protection plans can be found @ [wineenthusiast.com](http://wineenthusiast.com).

**Who is Protected:** This Limited Warranty protects the original purchaser during the Limited Warranty Period, provided that such purchaser can present appropriate proof of original purchase.

**What is Covered:** This Limited Warranty covers any defects in workmanship or materials in your new wine cooler under normal use.

**What is Not Covered:** The following are not covered by this Limited Warranty damage due to such things as accident, misuse, abuse, mishandling, neglect, unauthorized repair, failure to properly maintain, acts of God or any other cause beyond the reasonable control of the Wine Enthusiast whether similar or dissimilar to the foregoing.

Purchaser understands and acknowledges that the wine cooler is a wine refrigerator, which houses wine. Purchaser assumes all the risk of using these units, including risk of spoilage, humidity variations, temperature variations, leaks, fires, water damage, mold, mildew, dryness and similar perils that may occur.

**What We Will Do:** During the Limited Warranty Period, Wine Enthusiast and/or the manufacturer will, at its sole discretion, repair or replace any wine cooler not operating within the manufacturer's specifications. All costs for labor and materials thereto shall be covered during the Limited Warranty Period. If Wine Enthusiast deems the wine cooler is not repairable, Wine Enthusiast will use the value of your original order toward a replacement; provided, however, that the purchaser will be responsible for all shipping and handling costs with respect to the replacement after the initial ninety (90) days after the date of receipt of original purchase. ***After the initial ninety (90) day period after the date of receipt of purchase, purchaser must pay any shipping and handling charges that are incurred in shipping or transporting the wine cooler for service under this Limited Warranty.*** Wine Enthusiast reserves the right to substitute materials of substantially similar quality in the event that identical materials are not available at the time the



Limited Warranty services are performed. Wine Enthusiast reserves the right to request that purchaser contact a local refrigeration company to service the wine cooler.

**How to get Warranty Service:** In the event your wine cooler is not operating within the manufacturer's specifications, during the Warranty Period, contact customer service by email at [custserv@WineEnthusiast.net](mailto:custserv@WineEnthusiast.net) or by phone 800.648.6058.

**Limitation of Implied Warranties:** All implied warranties, including warranties of merchantability and fitness for a particular purpose, are limited in duration to the length of this Limited Warranty.

**Exclusion of Certain Damages:** Wine Enthusiast's liability is limited to replacement or repair of the defective wine cooler. Wine Enthusiast shall not be liable for any damages, whether incidental, consequential or otherwise, because of any defective wine cooler.

**How State Law Applies:** Some states do not allow limitations on how long an implied warranty lasts and/or do not allow the exclusion of incidental or consequential damages, so the above limitations and exclusions may not apply to you. The Limited Warranty gives you specific legal rights, and you may also have other rights which vary from state to state.

**Wine Enthusiast**

**Valhalla, NY 10595**

