

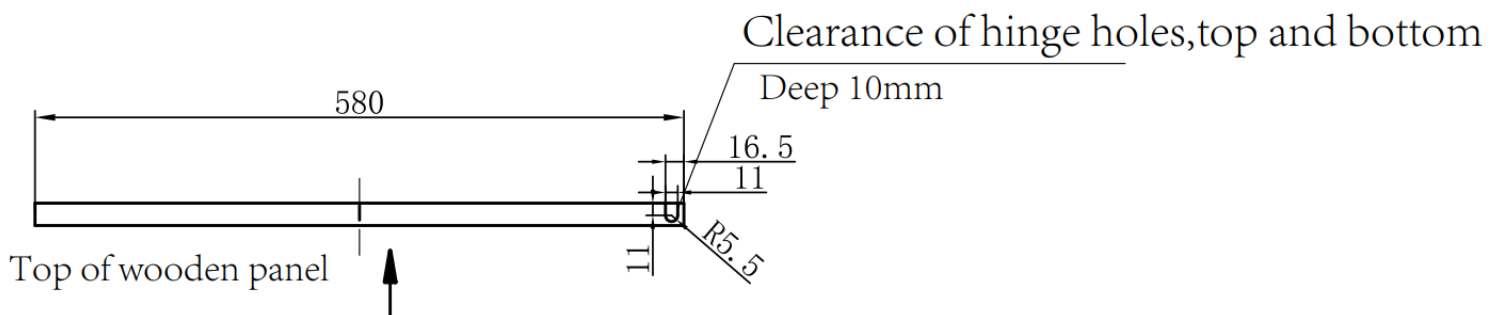
**PLEASE READ THE USER MANUAL CAREFULLY
BEFORE INSTALLING AND OPERATING**

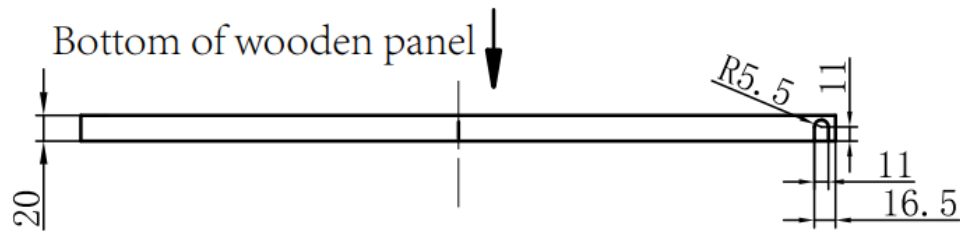
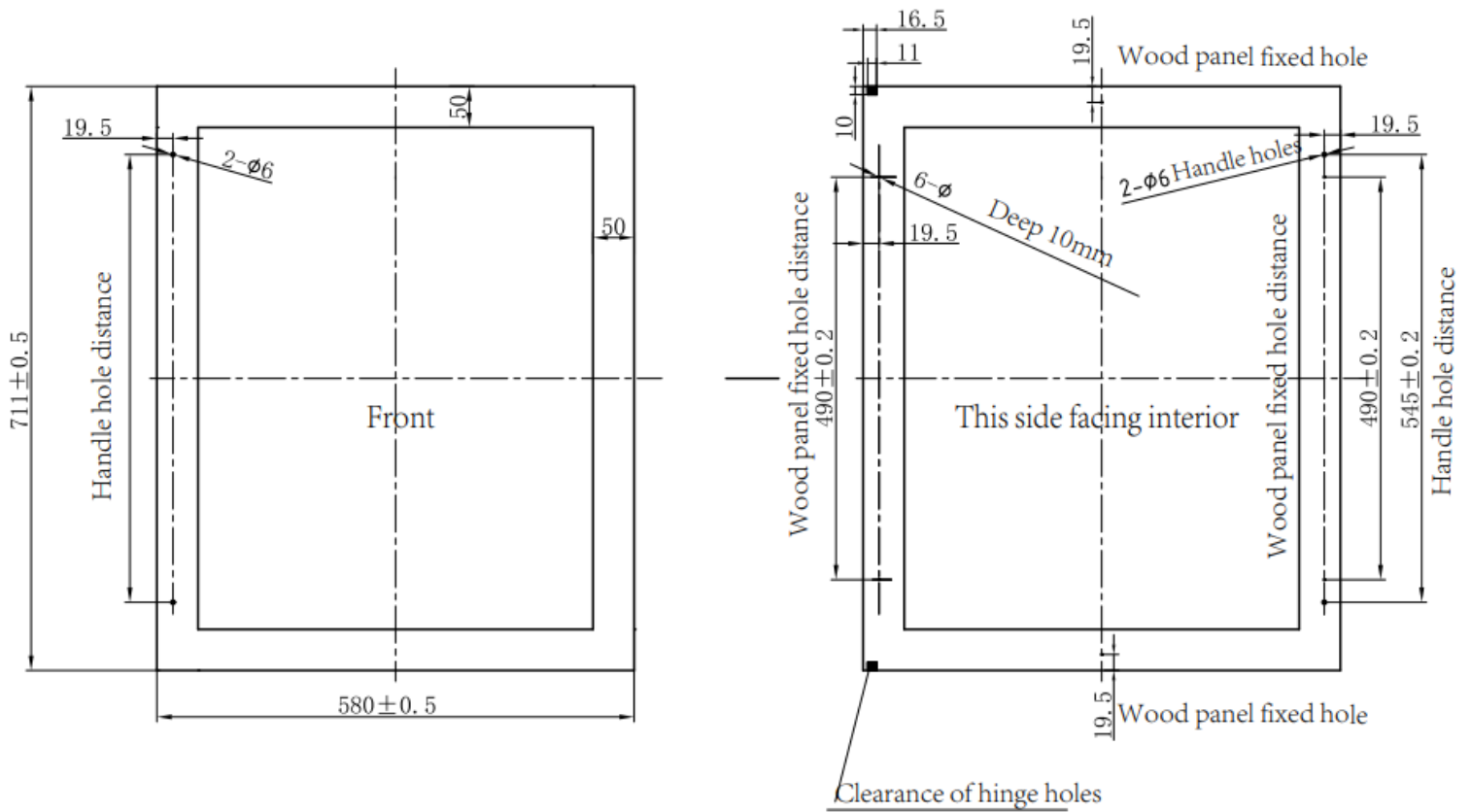
Instructions for Installing a Custom Panel

Your NFINITY Panel Ready Appliance is designed to accept a customer supplied custom wood panel. The easiest means to attach the panel is by removing the door, clamping the panel to the door and attaching with screws, then replacing the door onto the unit.

1. Frame Preparation

- For a Right Hinge opening appliance, cut the panel to the dimensions in the diagram below. Reverse for a left hinged opening appliance.
- Recommended panel thickness is $\frac{3}{4}$ " (19mm) and should not weigh more than 10 pounds.
- Panel dimensions shown below (in millimeters) are the size to cover the appliance door. It can be made wider and/or taller to match surrounding cabinetry, and you will need to make modifications to these instructions.

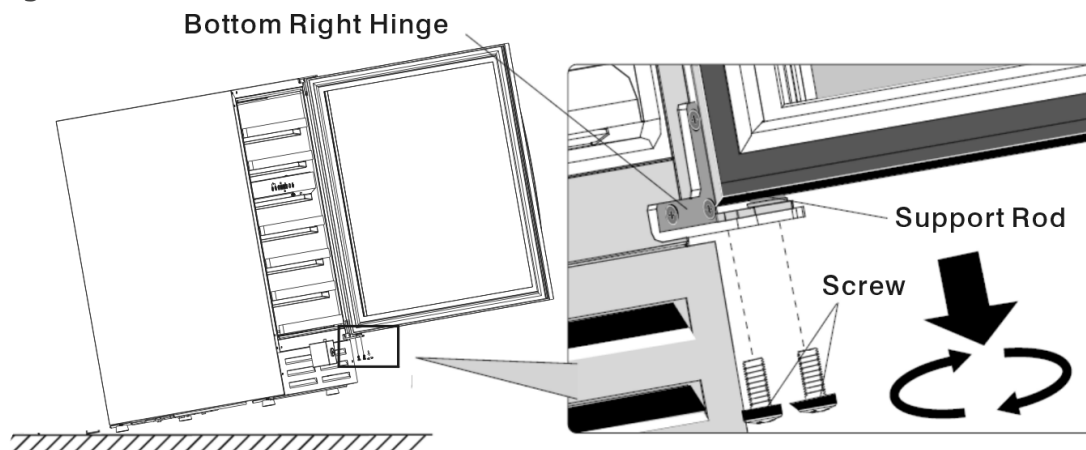




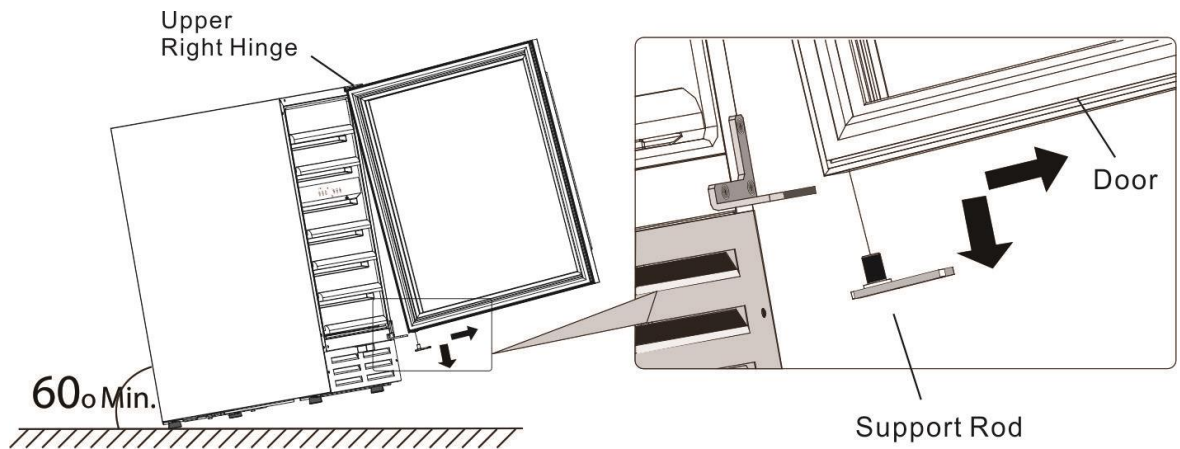
2. Remove the Door from the Appliance

- Follow steps A and B: SHOWN BELOW, save all the components.

A. Open the door and loosen the screws from the support rod of the bottom hinge.



B. Remove the door off the upper hinge and take out the support rod.



- Pull off the rubber door seal to expose the screw holes.

3. Installing a Custom Handle

- If you are using your own custom handle, not supplied, then you should attach the handle to the custom panel using countersunk screws.
- If you are using the handle provided proceed to the next step.

4. Clamp the Custom Panel to the Door Frame

- Be sure to align the panel with the top of the door frame.
- Center the panel along the width (side to side).

5. Attaching the Panel and Handle

- It is best to drill 1/2" pilot holes before attaching the door, this will help to prevent the wood from splitting.

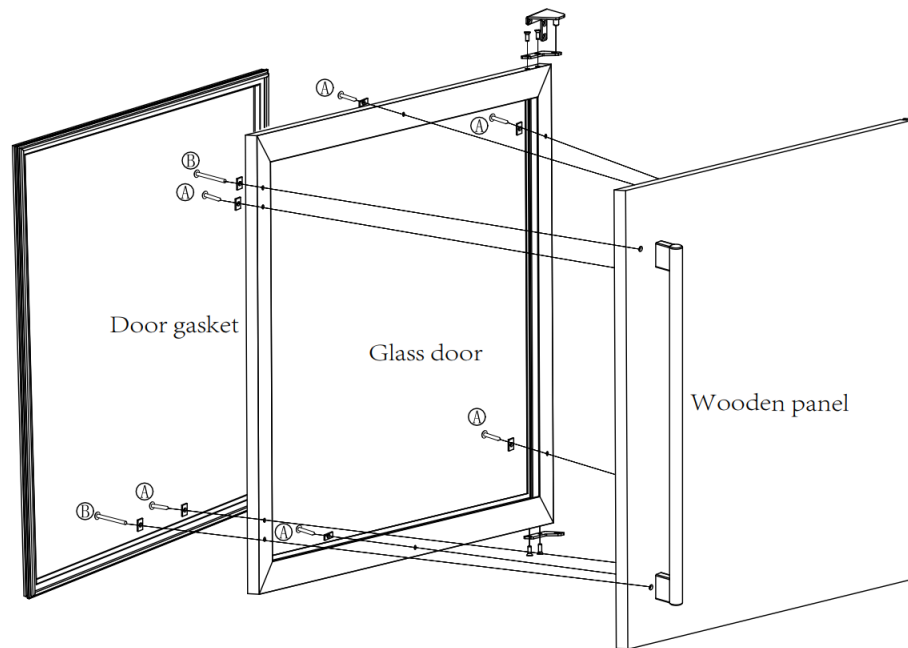
PLEASE NOTE: BE CAREFUL NOT TO DRILL THROUGH THE FRONT OF THE WOOD PANEL

WINEENTHUSIAST

- Fasten the wood panel (A) using the 6 washers and screws, screwing through the holes from the inside of the door through the gasket channel.

PLEASE NOTE: BEFORE YOU DRILL THE HOLES FOR THE HANDLE RE-CHECK THEIR LOCATION, REFER TO THE DIAGRAM BELOW.

- Drill the handle holes (ONLY) through the wood.
- Attach the handle (B) using the long screws and washers provided.



6. Re-Install the Door

- Remove all clamps from the door frame.
- Replace the door gasket into the channel, pressing very firmly to re-install, it might take some effort.
- Re-install the door onto the appliance following in reverse the procedures for step 2 then step 1 in the section Reversing the Door Swing.

Wine Enthusiast
Valhalla, NY 10595

August 2022 V1

WINEENTHUSIAST®