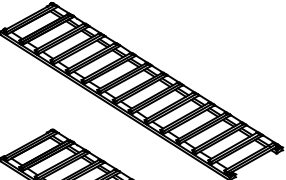
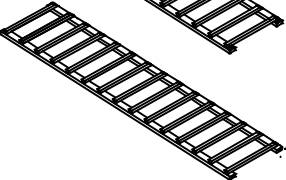
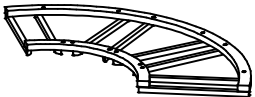
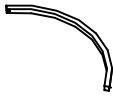






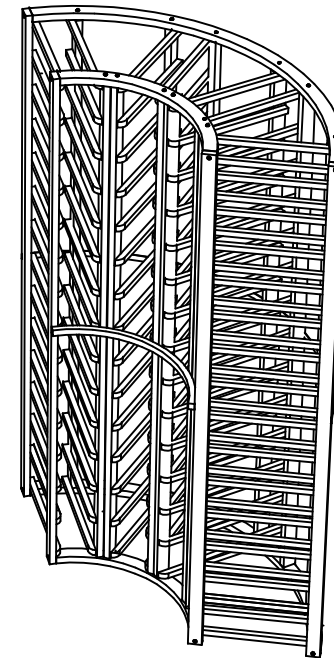
# STACKABLE RACK CURVED CORNER

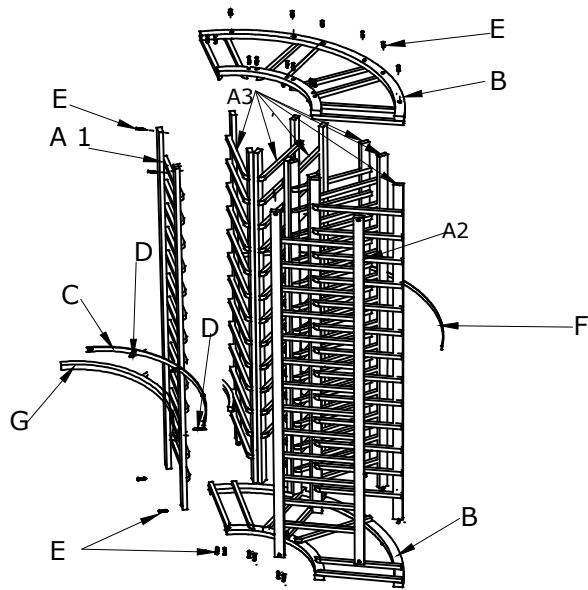
## PARTS & HARDWARE

- A1 , A2 .Left and Right Part : 2 pcs : A1, A2 
- A3 .Center Part : 5 pcs : A3 
- B. Top and Bottom Part : 2 pcs : B. 
- C. Center Front Trim : 1 pcs : C 
- D. Screw Ø8x11/4" : 32 pcs : D 
- E. Metal Front ,Back Support and Center Trim Screw Ø6x1/2" : 20 pcs : E 
- F. Metal Back Support : 1 pcs : F 
- G. Metal Front Support : 1 pcs : G 



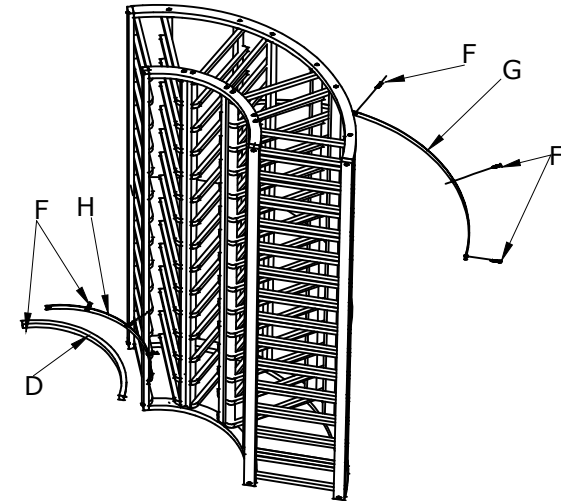
# STACKABLE RACK CURVED CORNER





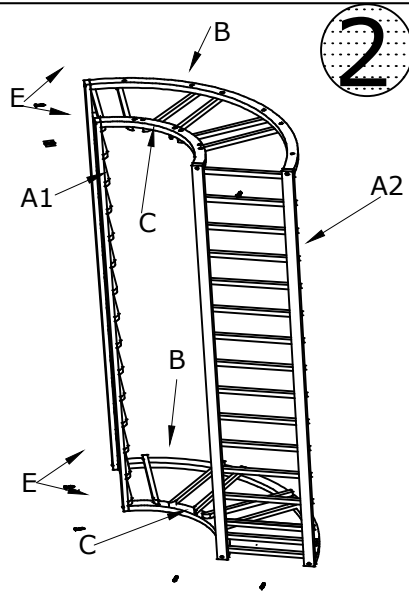
1

1. Picture (1) it shows Part and Hardware.

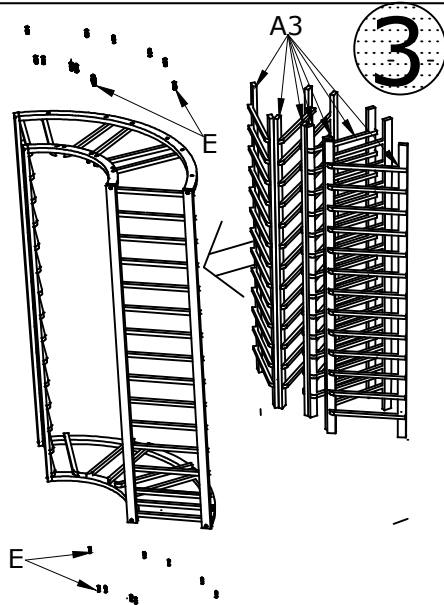


4

4. After all set, stand this part then install the metal Front support (H) and the Metal Back support (G) with screw (F) into the pilot holes on the Part.
5. Install Center front Trim (D) to the Metal Front support (H) by screw (F) from inside of the rack, see picture (4).

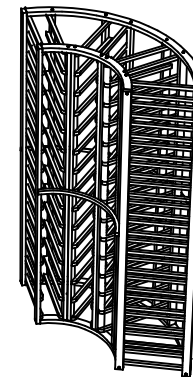


2



3

2. Starting by installing the Left Part (A1) and the Right part (A2) on the Front Top and Bottom Part (B) by using Screw (E) from the Rack side, see picture 2.
3. Step by step install The Center Part (A3) on the position by screwing (E) into the upper holes bar and bottom holes bar, see on picture (3) completely in installation.



5

6. Picture 5 it shows Assembled Stackable Rack Curved Corner