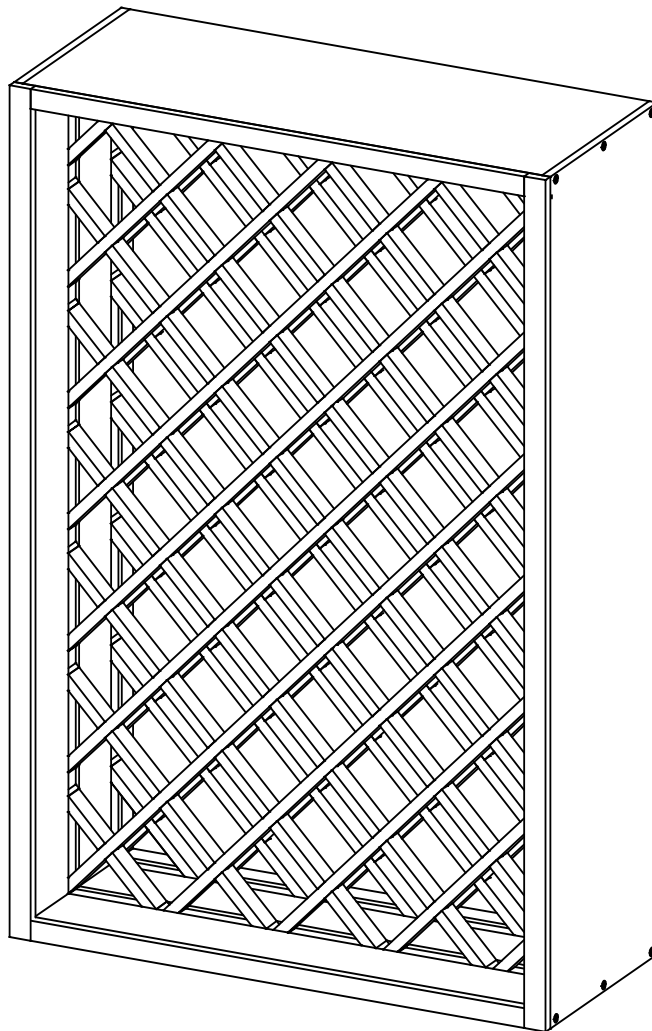




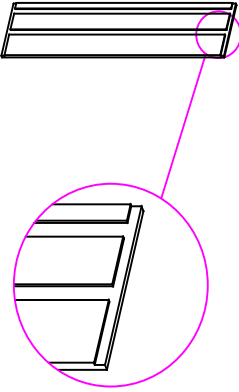
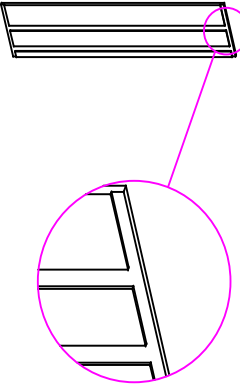
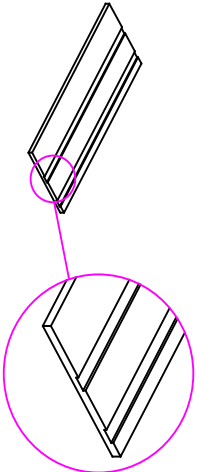
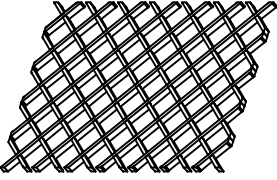
WINE ENTHUSIAST®

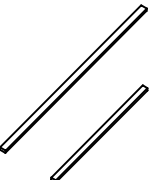
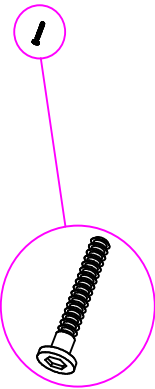
ASSEMBLY INSTRUCTIONS N'FINITY STACKABLE INDIVIDUAL DIAMOND BIN

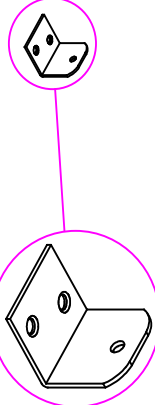
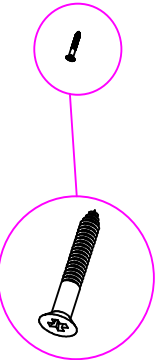
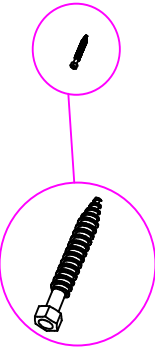
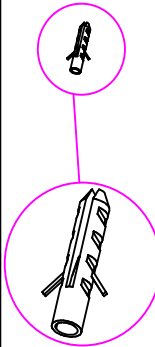
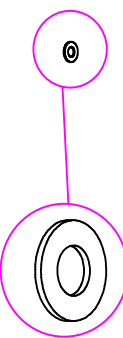


WineEnthusiast.com
800.356.8466

INFINITY STACKABLE INDIVIDUAL DIAMOND BIN PARTS & HARDWARE

CODE	DESCRIPTION	QTY	SKETCH DRAWING
A1	Left part	1 pcs	
A2	Right part	1 pcs	
B	Top And Bottom part	2 pcs	
C	Center part	2 pcs	

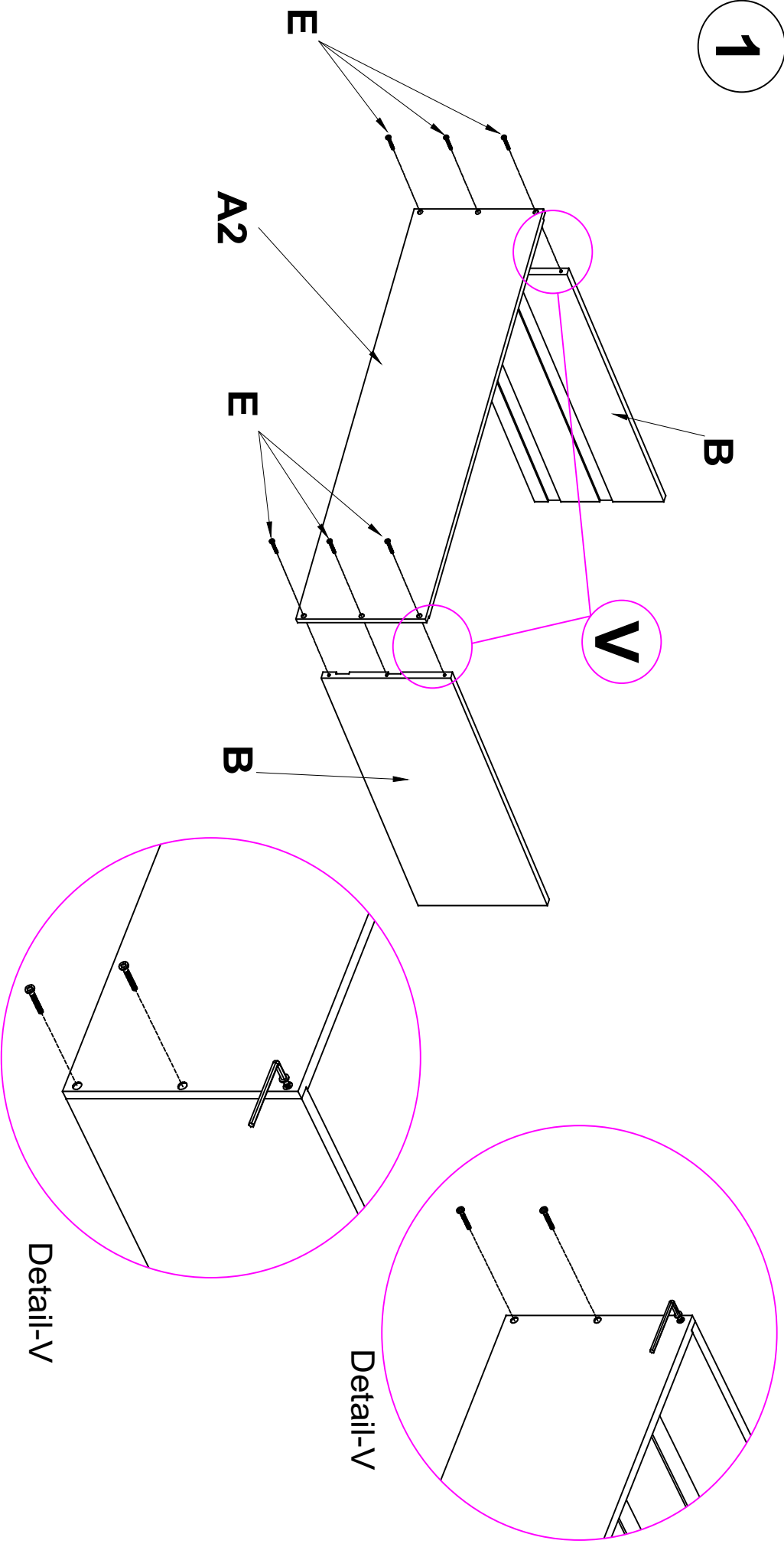
CODE	DESCRIPTION	QTY	SKETCH DRAWING
D	Long and Short Front trim part	4 pcs	
E	KD Bolt	12 pcs	

Hardware (addition / optional to hang the rack on the wall)			
F	Hanging Plat	2 pcs	
G	3/4" #6 Screw	4 pcs	
H	TV Bolt	2 pcs	
I	Wall Fisher	2 pcs	
J	Ring	2 pcs	

Note: Hexagonal wrench, hammer and nails are required for assembly. Don't overtighten KD bolts to minimize the risk of wood splitting.

N'FINITY STACKABLE INDIVIDUAL DIAMOND BIN ASSEMBLY INSTRUCTIONS

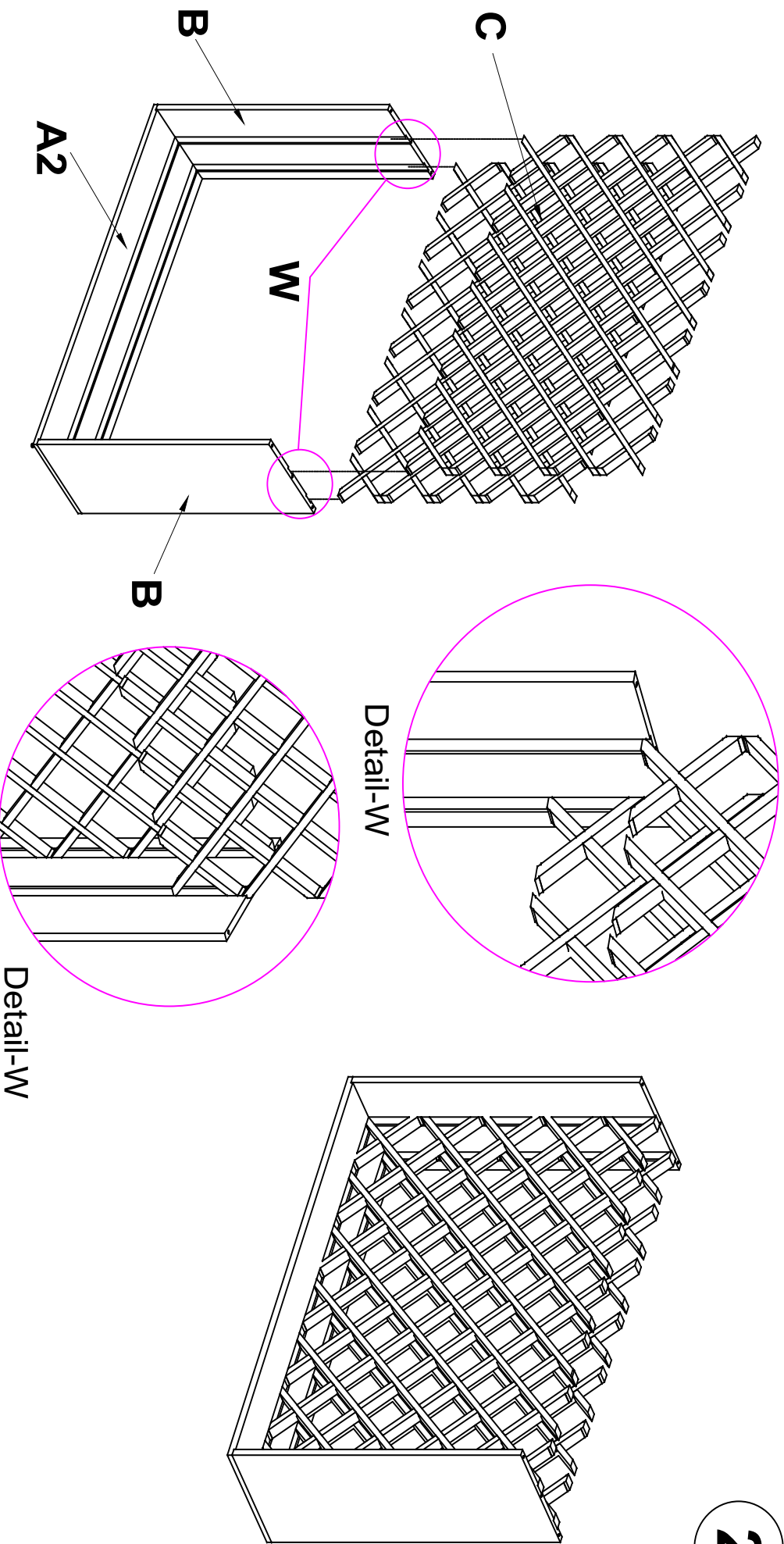
1



Step 1. It is easiest to assemble lying horizontally. Attach the right part (A2) to top part (B) and bottom part (B) (see picture 1) with 6 pcs KD bolt (E) see detail A for clarification. Tighten the KD bolt using hexagonal wrench.

N'FINITY STACKABLE INDIVIDUAL DIAMOND BIN ASSEMBLY INSTRUCTIONS

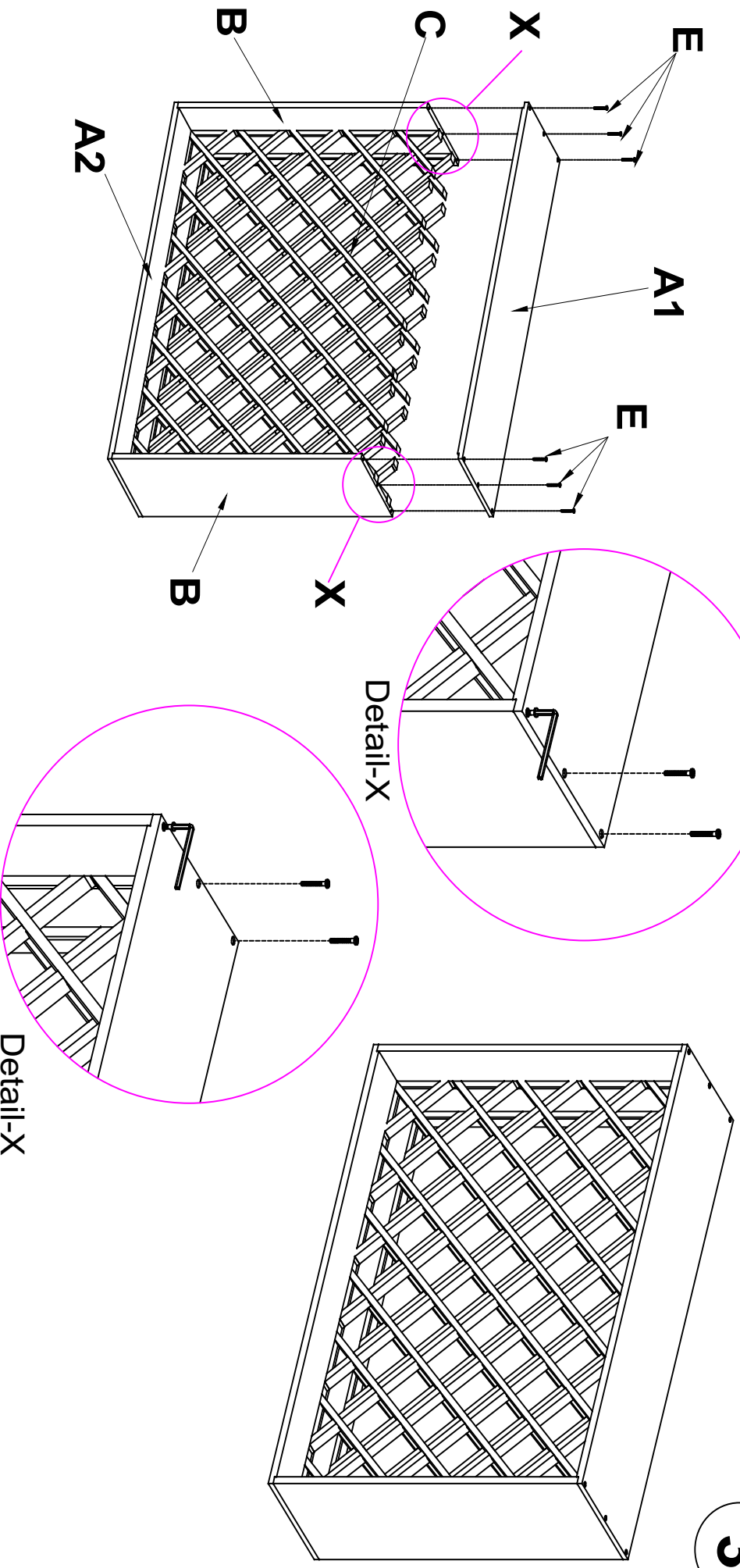
2



Step 2. Position the top part (B), bottom part (B) and right part (A1) that have been assembled vertically. Then insert the center part (C) to the rack one by one. See detail-W for clarification.

N'FINITY STACKABLE INDIVIDUAL DIAMOND BIN ASSEMBLY INSTRUCTIONS

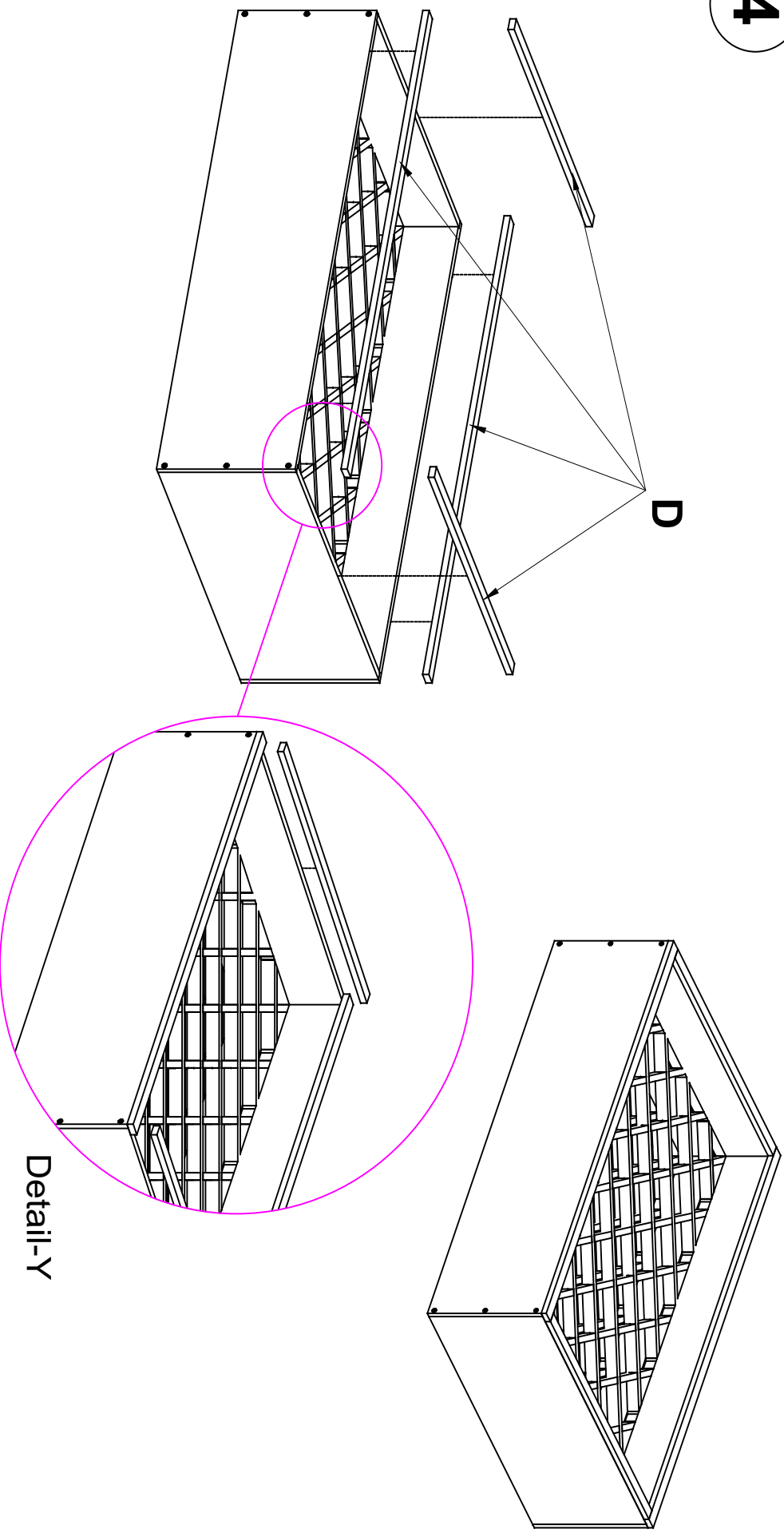
3



Step 3. Attach the left part (A2) to the top part (B) and bottom part (B) (see picture step 3) with 6 pcs KD bolt (E) see detail-X for clarification. Tighten the KD bolt using hexagonal wrench.

N'FINITY STACKABLE INDIVIDUAL DIAMOND BIN ASSEMBLY INSTRUCTIONS

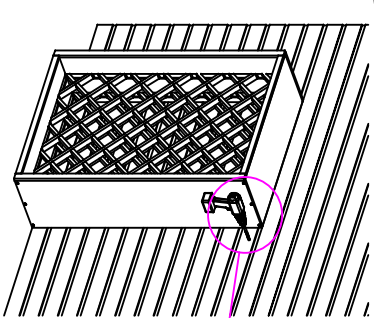
4



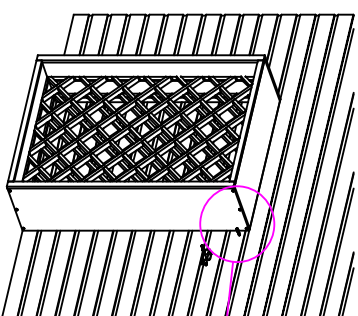
Step 3. It is easiest to assemble lying horizontally. Attach the front trim part (D) to the front rack (see picture 4) with nails. See detail-Y for clarification.

INSTRUCTION FOR ATTACHING RACK TO WALL (OPTIONAL)

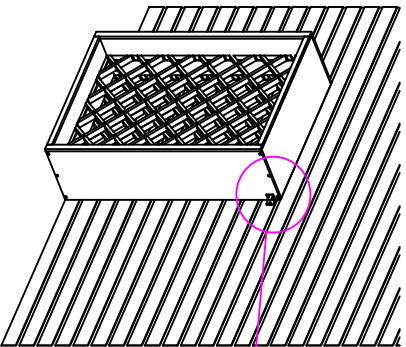
1



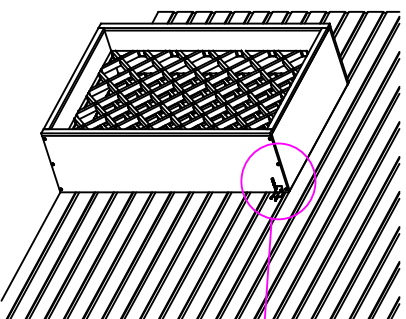
2



3



4



Step :

1. Drill the wall, diameter of drill hole according the diameter of the wall fisher.
2. Put the wall fisher into the drill hole.
3. Attach the hanger plate to the rack using screws.
4. Position the rack and plate into the drilled hole on the wall, then secure it using the tv bolt.

N'FINITY STACKABLE INDIVIDUAL DIAMOND BIN

COMPLETED ASSEMBLY SHOWN

