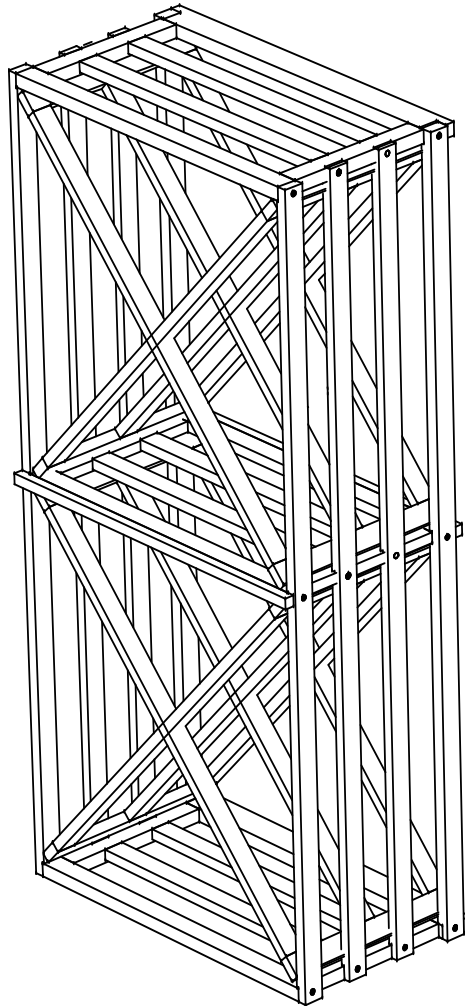


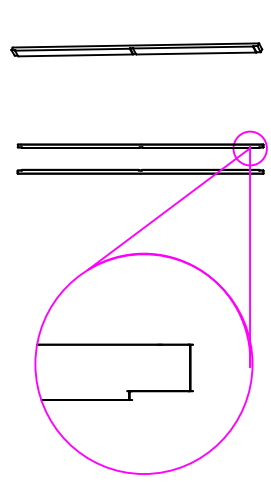
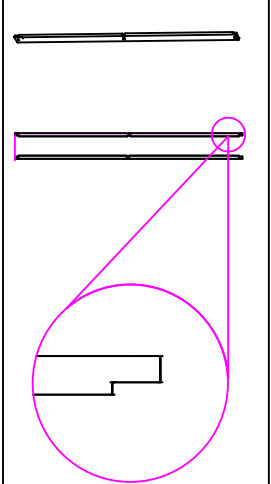
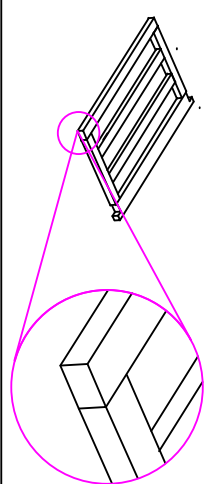
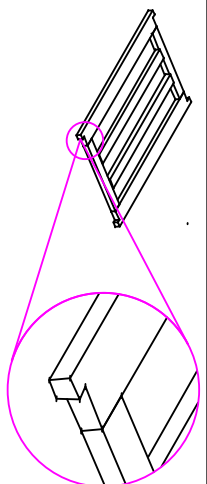
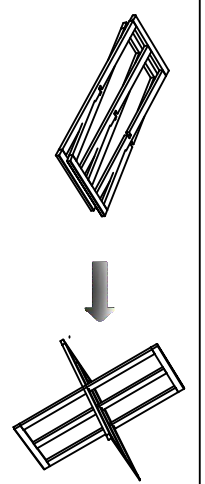


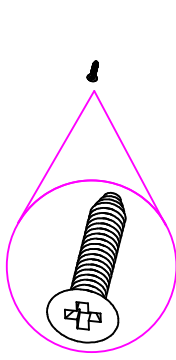
ASSEMBLY INSTRUCTIONS
N'FINITY STACKABLE OPEN DIAMOND
CUBE

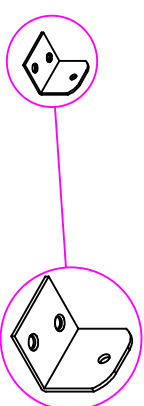
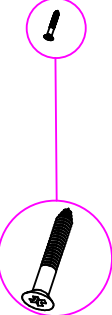
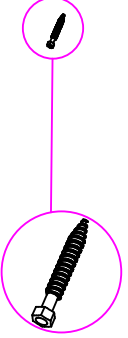
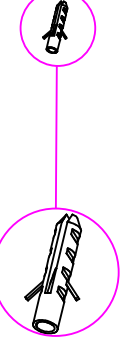



WineEnthusiast.com
800.356.8466

N'FINITY STACKABLE OPEN DIAMOND CUBE PARTS & HARDWARE

CODE	DESCRIPTION	QTY	SKETCH DRAWING
A1	Left and right frame part	4 pcs	
A2	Left and right center part	4 pcs	
B	Top and bottom bar	2 pcs	
C	Center shelf	2 pcs	
D	"X" rack	2 pcs	

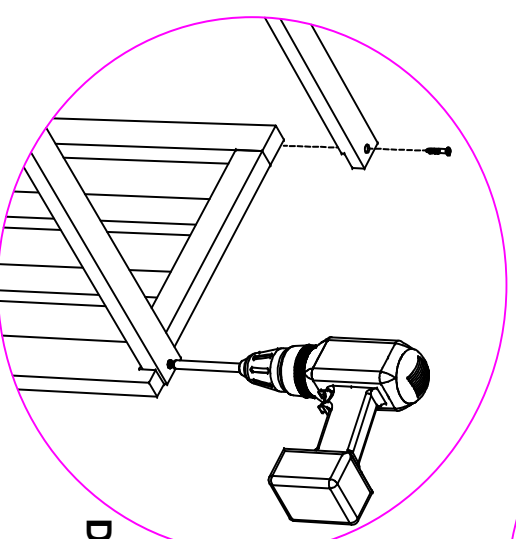
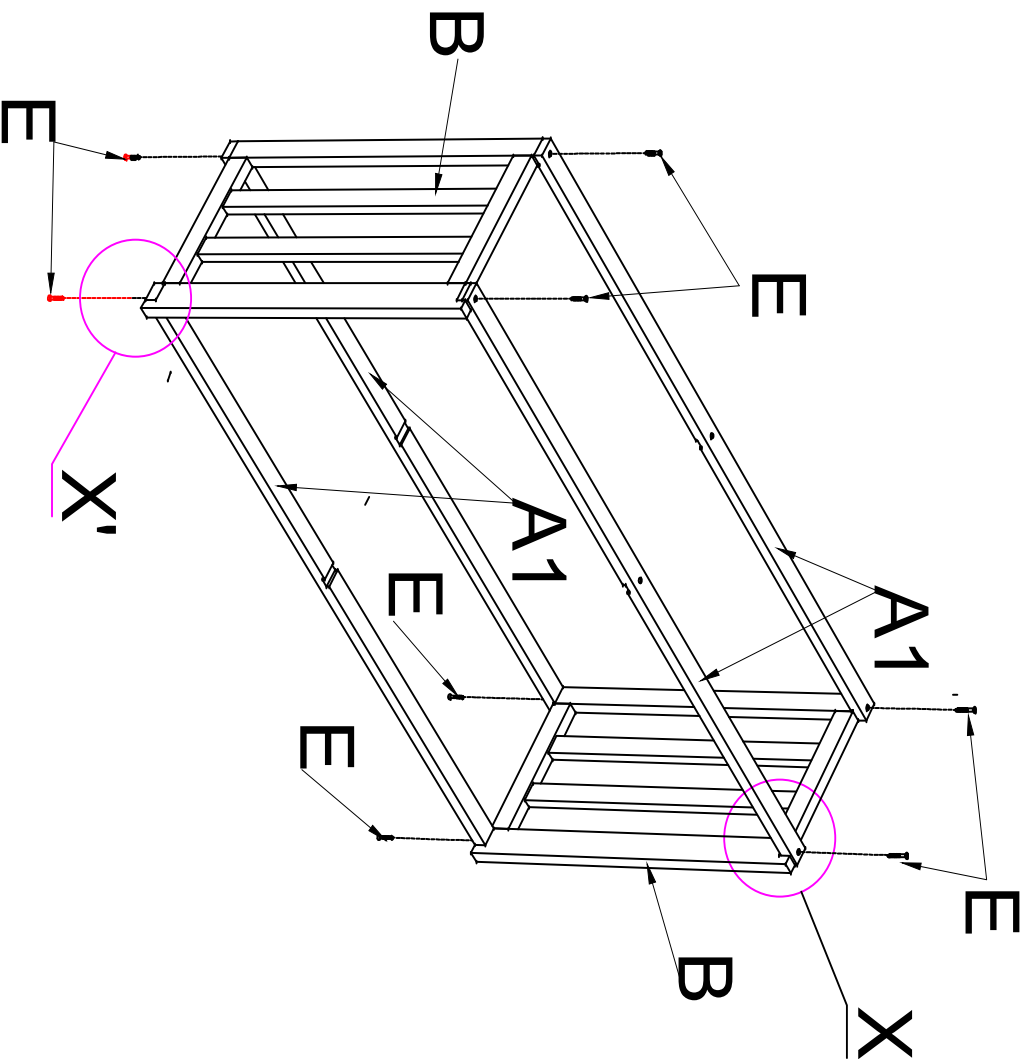
CODE	DESCRIPTION	QTY	SKETCH DRAWING
E	1- $\frac{1}{4}$ " #8 screw	24 pcs	

Hardware (addition / optional to hang the rack on the wall)			
F	Hanging Plat	2 pcs	
G	3/4" #6 Screw	4 pcs	
H	TV Bolt	2 pcs	
I	Wall Fisher	2 pcs	
J	Ring	2 pcs	

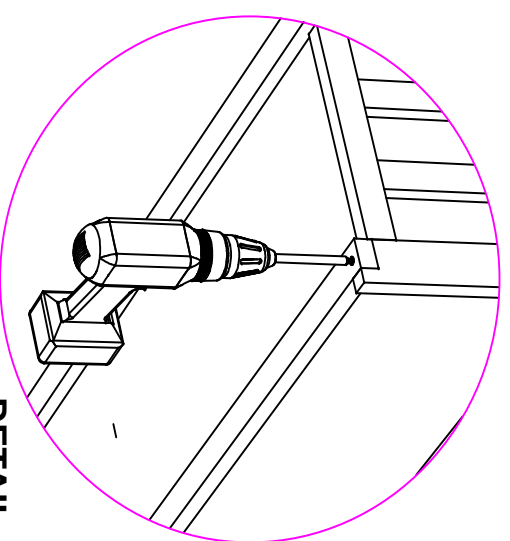
Note:

Hexagonal wrench, hammer and nails are required for assembly. Don't overtighten KD bolts to minimize the risk of wood splitting.

N'FINITY STACKABLE OPEN DIAMOND CUBE ASSEMBLY INSTRUCTIONS



DETAIL - X



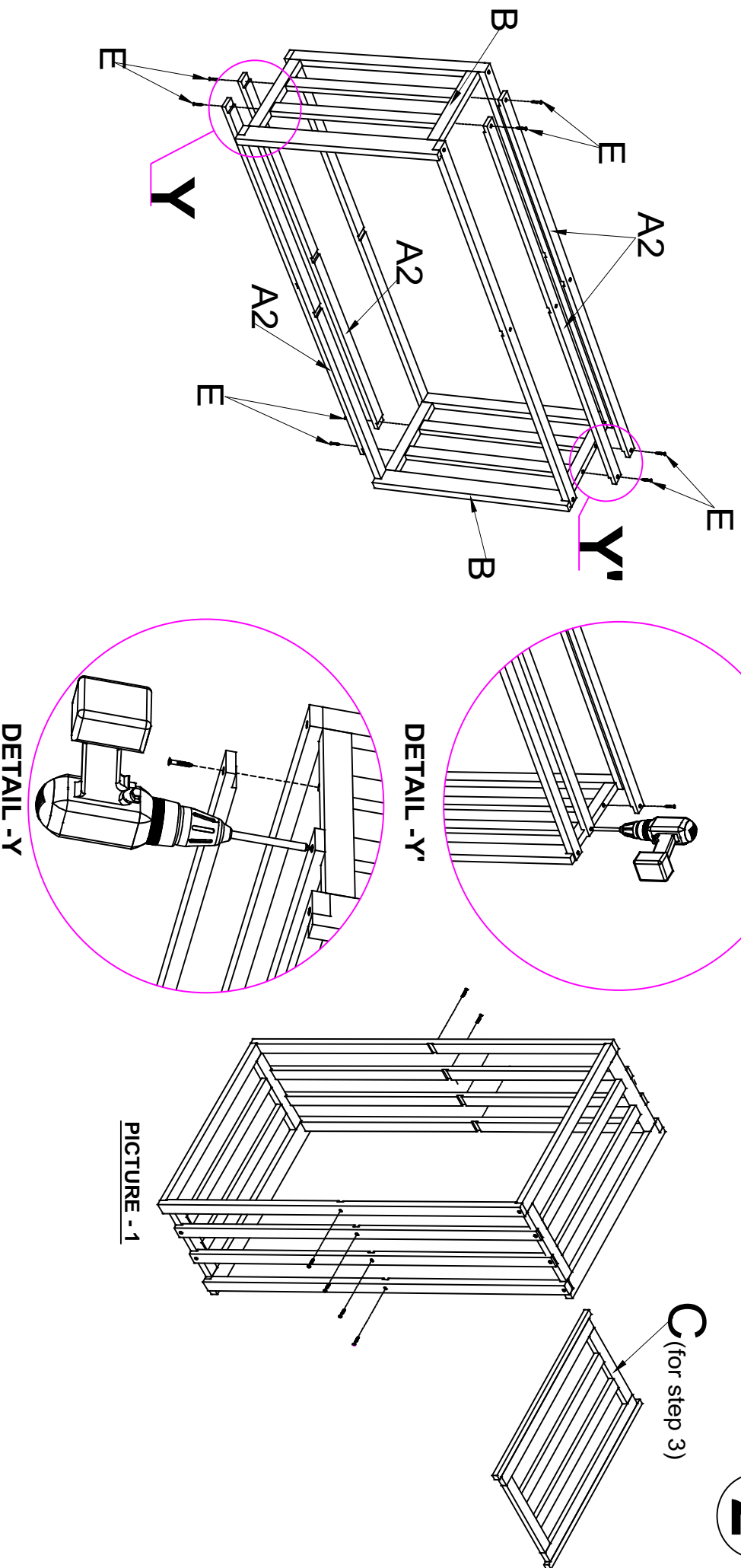
DETAIL - X'

1

Step 1. It is easiest to assemble lying horizontally. Attach left and right side frame (A1) to the top and bottom bar (B), using 8 screws (E). (See detail -X and detail -X' for clarification).

N'FINITY STACKABLE OPEN DIAMOND CUBE ASSEMBLY INSTRUCTIONS

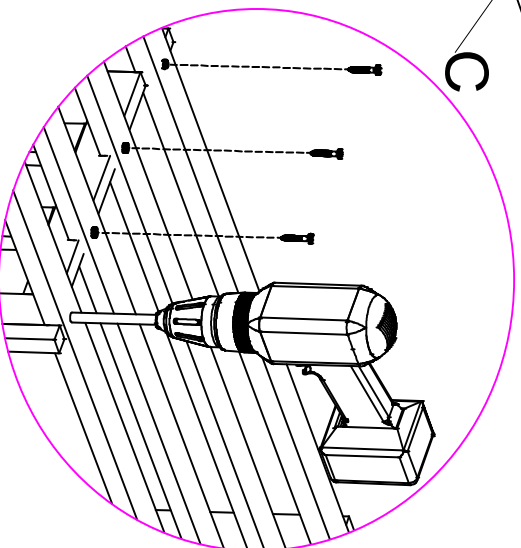
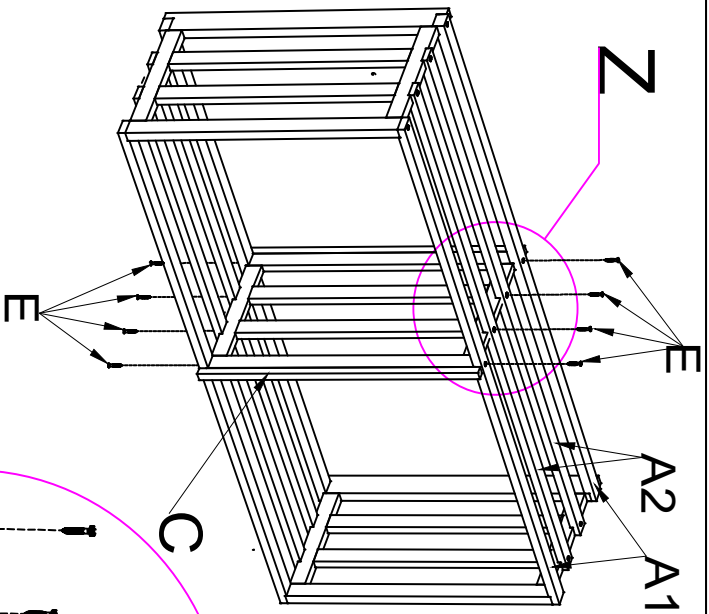
2



Step 2. Next, attach left and right center part (A2) to left and right the top and bottom bar (B), using 8 screws (E). (See detail -Y and detail- 'Y' for clarification). Set aside Center shelf (C) for step 3 see picture 1.

N'FINITY STACKABLE OPEN DIAMOND CUBE ASSEMBLY INSTRUCTIONS

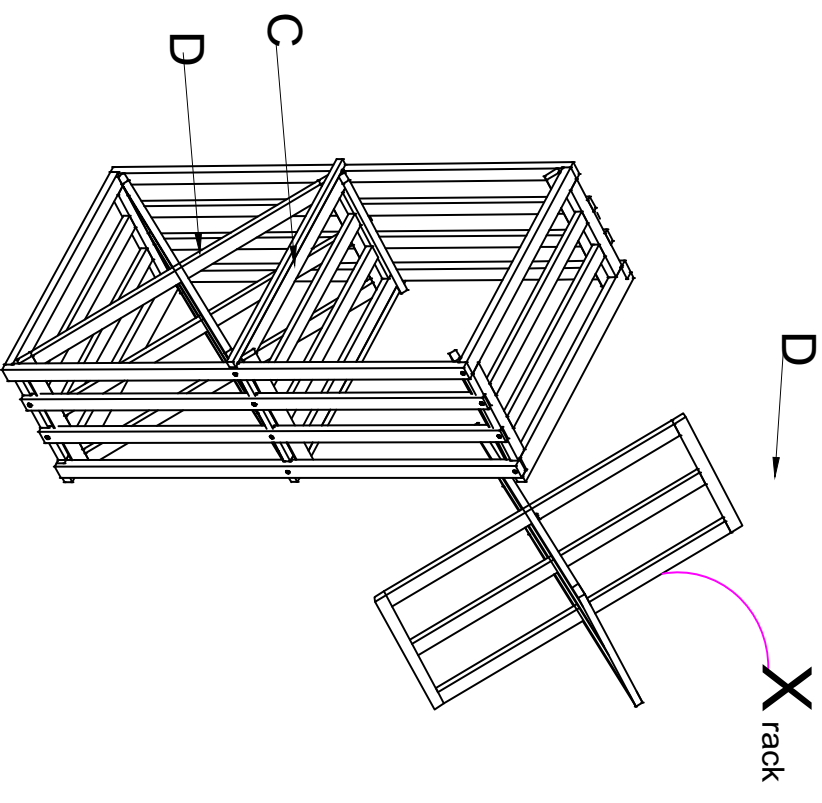
3



DETAIL -Z

Step 3. Attach center shelf (C) to side of left and right frame (A1) , center part (A2) using 8 screws (E). (See detail -Z' for clarification).

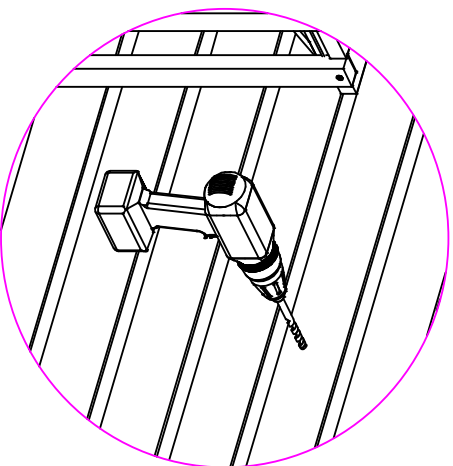
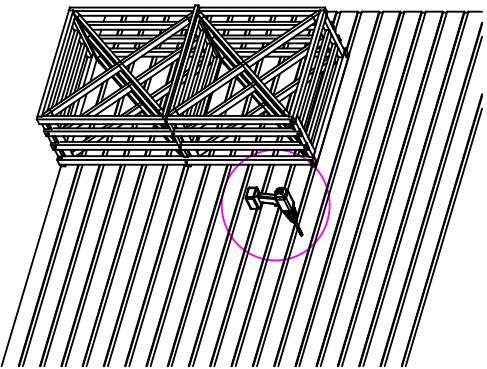
4



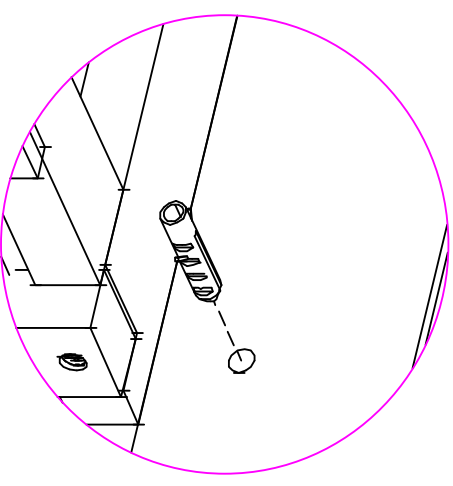
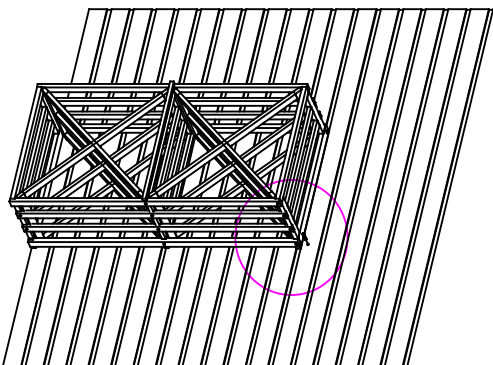
Steep 4. Place "X" rack (D) above and below center shelf (C).

INSTRUCTION FOR HANG THE RACK ON THE WALL USING ADDITION HARDWARE (OPTIONAL)

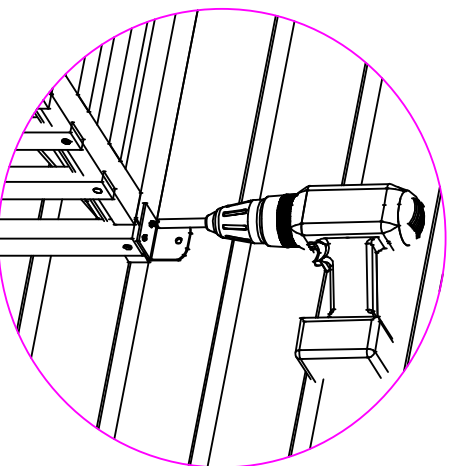
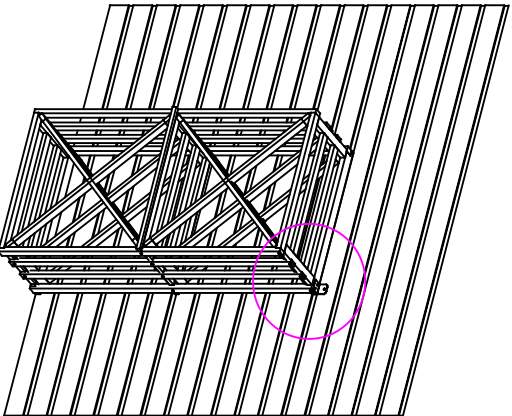
1



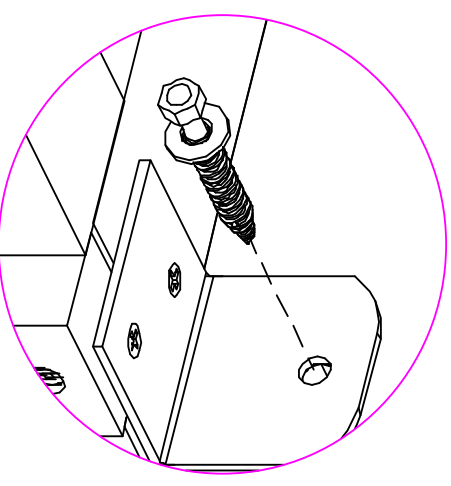
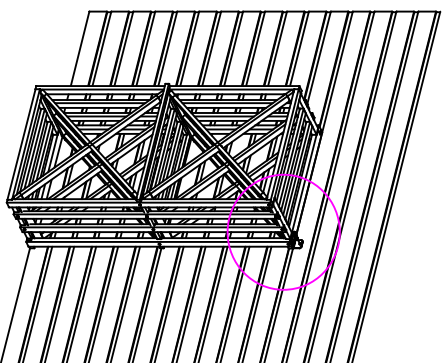
2



3



4



Step :

1. Drill the wall, diameter of drill hole according the diameter of the wall fisher.
2. Put the wall fisher into the drill hole.
3. Attach the hanger plate to the rack using screws.
4. Position the rack and plate into the drilled hole on the wall, then secure it using the tv bolt.

N'FINITY STACKABLE OPEN DIAMOND CUBE

COMPLETED ASSEMBLY SHOWN

