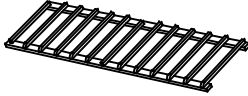








## STACKABLE RACK 1 COLOUMN

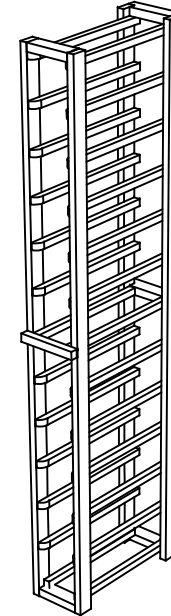
### PARTS & HARDWARE

A1. Left Part Side	: 1 pcs	: A1	
A2. Right Part Side	: 1 pcs	: A2	
B. Top and Bottom Front Bar	: 2 pcs	: B	
C. Top ,Center , Bottom Back Bar	: 3 pcs	: C	
D. Center Front Trim	: 1 pcs	D :	
E. Black Screw Ø8x11/4"	: 10 pcs	: E	
F. Metal Front Support and Center Trim Screw Ø6x1/2"	: 3 pcs	F :	
G. Metal Front Support	: 1 pcs	G :	

I



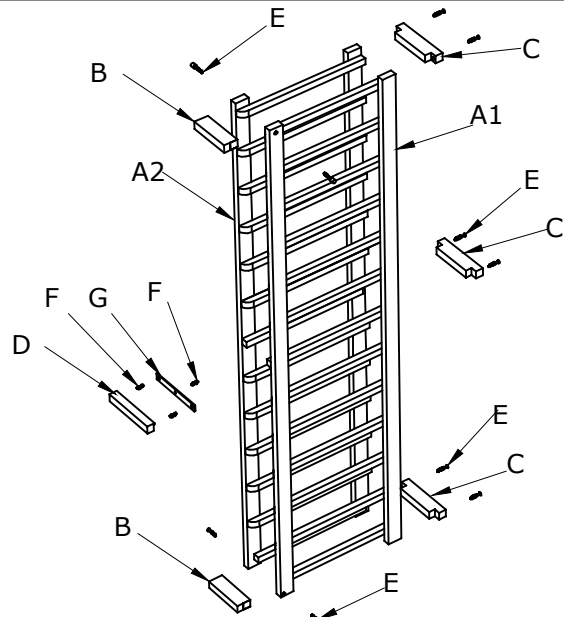
## STACKABLE RACK 1 COLOUMN INDIVIDUAL



# STACKABLE RACK 1 COLOUM INDIVIDUAL

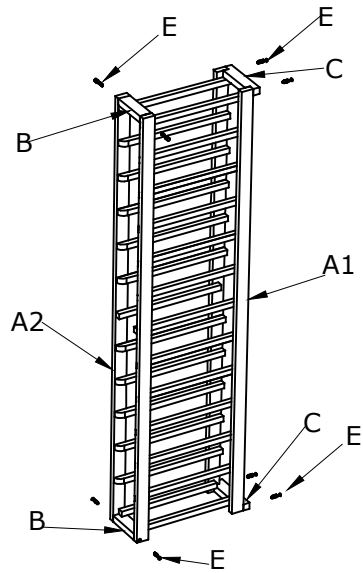
## ASSEMBLY INSTRUCTION

1



1. Picture (1) it shows Part and Hardware.

2

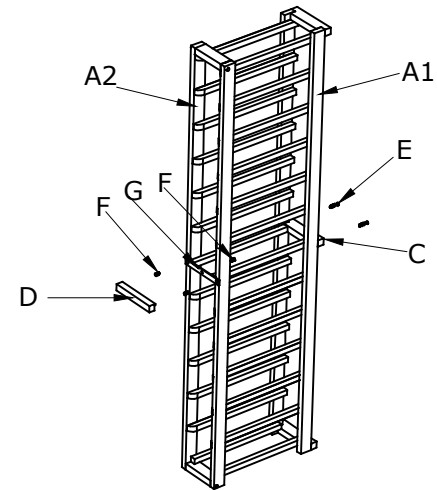


2. Attach the Left Part Side(A1) and Right Part side (A2) to the Top and Bottom Front Bar(B) and Top and Bottom Back Bar(C) using screw (E), see on picture(2) completely in installation.

# STACKABLE RACK 1 COLOUM INDIVIDUAL

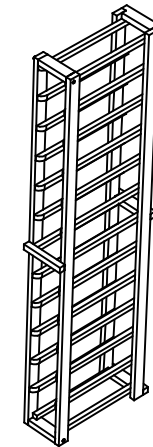
## ASSEMBLY INSTRUCTION

3



3. Install Center Back Support(C) on the Left Part side (A1) and Right Part side(A2) using screw (E),  
4. Then Install Front Metal support (G) and Center Front Trim with screw(F) See on picture(3) completely in installation.

4



5. Picture (4) it shows assembled Stackable Rack 1 Column Individual