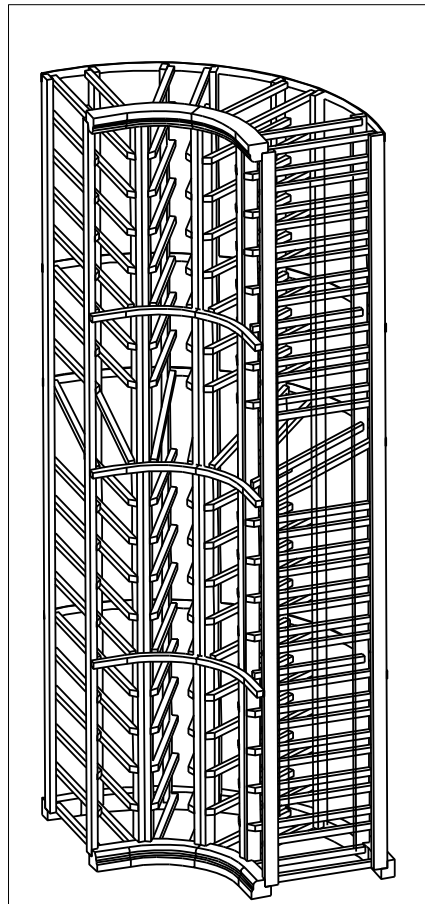


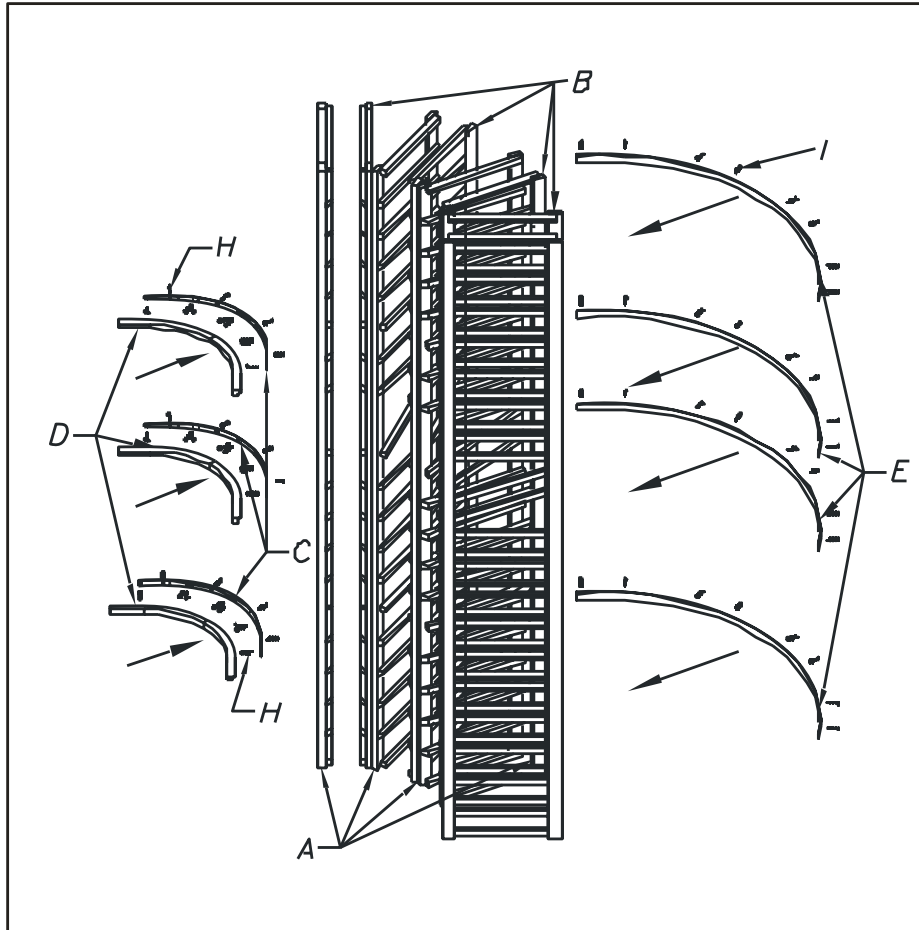


4 COLUMN CURVED CORNER INFINITY WINE RACK WITH DISPLAY

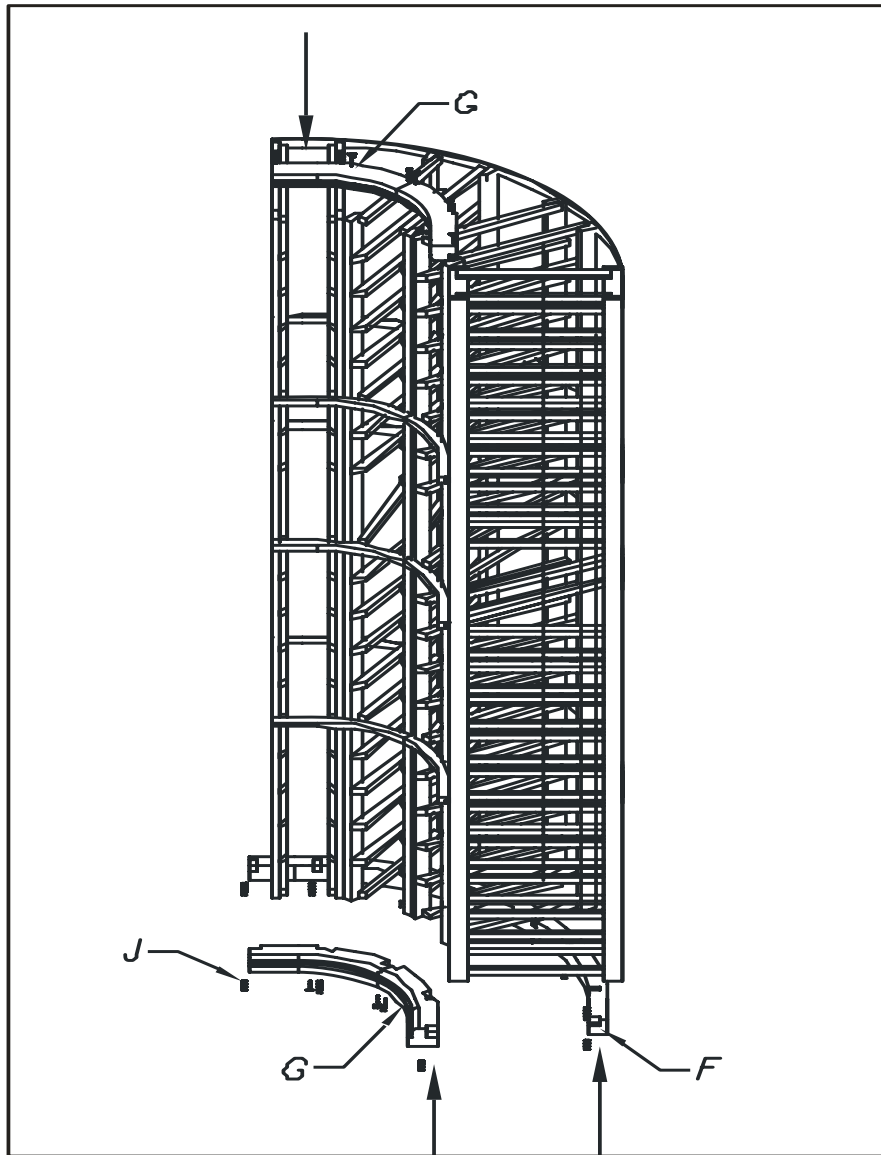
PARTS	DESCRIPTION	INCLUDED PIECES
A	LEFT UPRIGHT	4
B	RIGHT UPRIGHT	4
C	METAL FRONT SPACER BAR	3
D	FRONT SPACER BAR	3
E	METAL BACK CROSS BAR	4
F	BOTTOM BAR	1
G	MOLDING	2
H	SCREWS (Ø 6x1/2")	40
I	SCREWS (Ø 6x3/4")	38
J	SCREWS (Ø 8x1 1/2")	28
K	WALL BRACKET	12

Tools needed: Philips screwdriver.





1. Arrange the right and left uprights (A & B) in an alternating pattern, A-B-A-B-A-B-A-B. Attach the (E) metal back crossbars to the uprights and screw all 4 into the pre-drilled holes on the back using provided screws (H). It's important to make sure that the display row lines up correctly to ensure proper assembly. Because of the size and arrangement of the racks, it's important to begin in the middle and work outward.
2. With the rear cross bars firmly in place, attach the 3 metal front bars (C) into the pilot holes on the front of the rack with screws (H). You can now attach the front spacer bar.
3. The metal front bar has pre-drilled holes that so that the front spacer bars can be attached from behind. Place the (D) front spacer bar against the (C) metal front spacer bar and insert all screws from behind. You may find it easier to stand in back of the wine rack during this step.



4. Attach the bottom bar (F) to the rear underside and molding (G) to the front underside of the wine rack using screws (J).
5. Attach molding (G) to the top front using screws (J).
6. The final step is securing your wine rack to a wall using the brackets provided. If you cannot locate the wine rack on a stud it is important that you use the dry wall anchors provided.
7. Attach the (K) bracket to the top of the rack first using the screws provided with the bracket. Drill 2 small pilot holes into the top of the wine rack. Place bracket over the pilot holes and slowly insert screws so as not to split the wood. Drill 2 pilot holes into the wall, insert plastic anchors and attach the brackets to the wall.