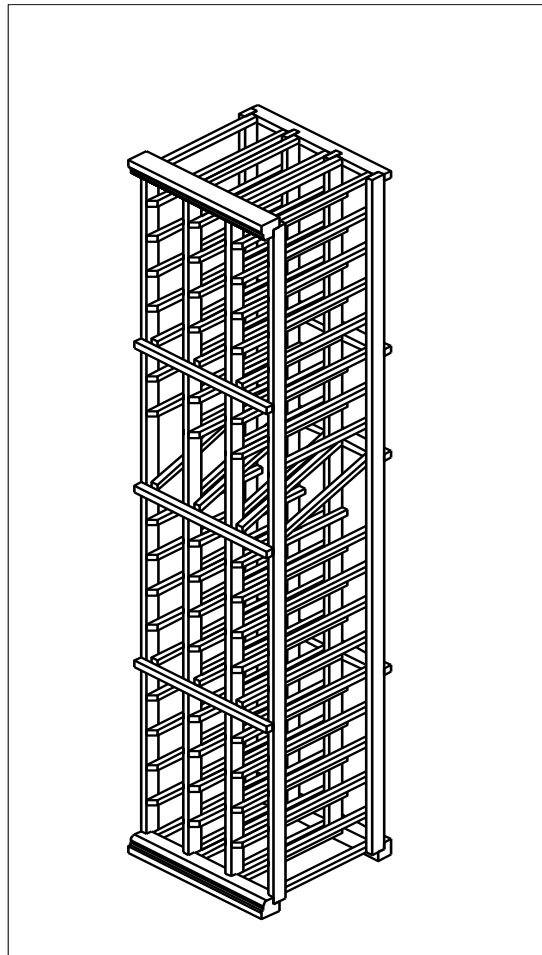
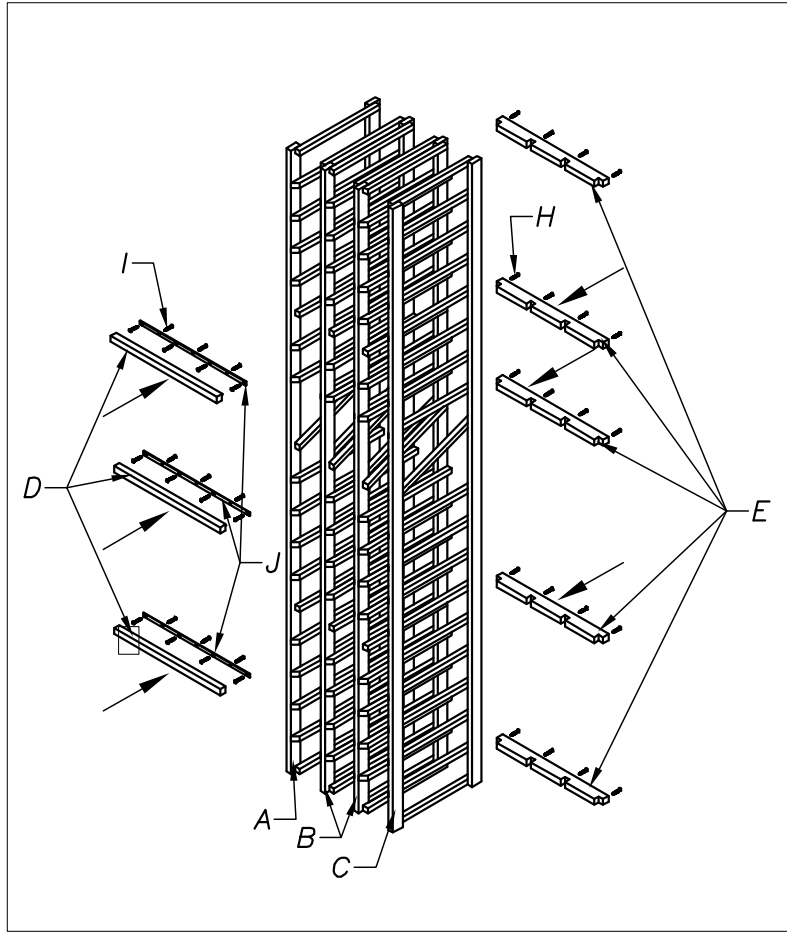


3 COLUMN INFINITY WINE RACK WITH DISPLAY

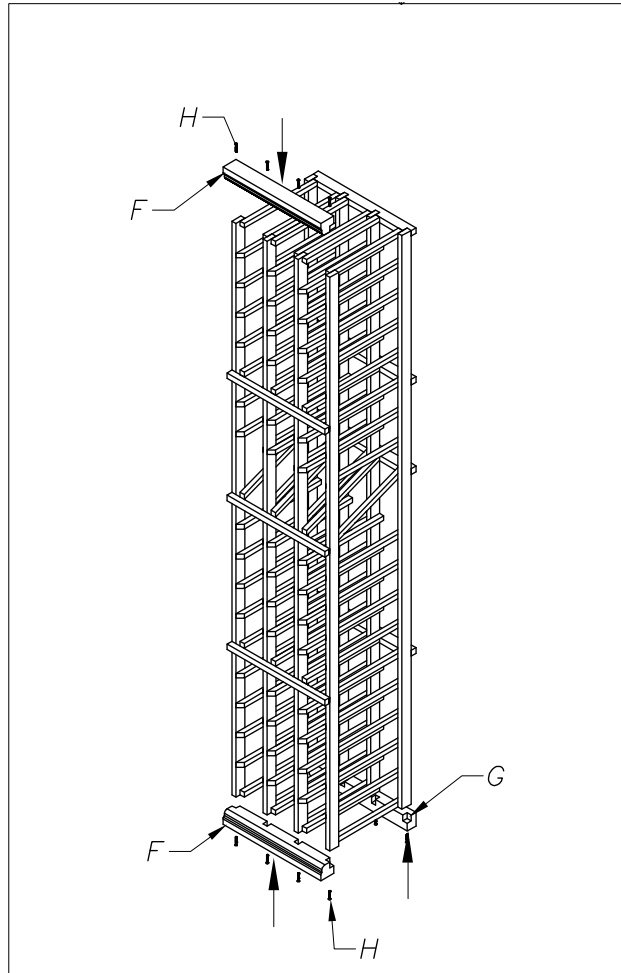
PARTS	DESCRIPTION	INCLUDED PIECES
A	LEFT UPRIGHT	1
B	CENTER UPRIGHT	2
C	RIGHT UPRIGHT	1
D	FRONT SPACER BARS	3
E	CROSS BARS	5
F	MOLDING	2
G	BOTTOM BAR	1
H	SCREWS (Ø 8x1 ^{1/4"}) & (Ø 8x1 ^{1/2"})	35
I	SCREWS (Ø 6x1/2")	20
J	METAL FRONT BAR	3
K	WALL BRACKET	2

Tools needed: Philips screwdriver.





1. Starting with the center uprights (B), screw in the 5 crossbars (E) into the pre-drilled holes on the back side of the rack using provided screws (H). It's important to make sure the display row lines up correctly to ensure proper assembly. You can then attach the (A) left upright and (C) right upright in the same manner.
2. With the rear cross bars firmly in place, attach the 3 metal front bars (J) into the pilot holes on the front of the rack with screws (I). You can now attach the front spacer bar.
3. The metal front bar has pre-drilled holes that so that the front spacer bars can be attached from behind. Place the (D) front spacer bar against the (J) metal front support and insert all screws from behind. You may find it easier to stand in back of the wine rack during this step.



4. Attach the bottom bar (G) to the rear underside and molding (F) to the front underside of the wine rack using screws (H).
5. Attach molding (F) to the top front using screws (H).
6. The final step is securing your wine rack to a wall using the brackets provided. If you cannot locate the wine rack on a stud you will have to use the dry wall anchors provided.
7. Attach the (K) bracket to the top of the rack first using the screws provided with the bracket. Drill 2 small pilot holes into the top of the wine rack. Place bracket over the pilot holes and slowly insert screws so as not to split the wood. Drill 2 pilot holes into the wall, insert plastic anchors and attach the brackets to the wall.