

EUROCAVE®

PREMIERE L

WINE CELLAR



BENEFITS

- EuroCave Premiere is modern/smart design
- Enhanced Performance: Over 60% more energy efficient, lower acoustic levels & expanded external temperature threshold of 32°F - 95°F
- New intuitive control panel with sensitive touch buttons, and remote LED lighting system
- High quality/low emission glass doors (improved UV protection) with new locking system & integrated door handle
- Visual temperature alarms

FEATURES

SHELVING	10 Rolling / 1 Adjustable
INTERIOR LIGHTING	Removable LED
CONTROLS	Digital
TEMPERATURE DISPLAY	LED
GLASS DOOR	UV Tinted, Dual Pane
REVERSIBLE DOOR	Yes
SECURITY LOCK	Yes
WARRANTY	1-Year Parts & Labor 5-Years Sealed System
CHARCOAL FILTER	Yes
LEVELING LEGS	2

GENERAL INFORMATION

BOTTLE CAPACITY*	Maximum 178 Bottles
USABLE VOLUME	16 Cu. Ft.
INSTALLATION TYPE	Free Standing
VENTING	Rear
TEMPERATURE ZONES	1 Temp
TEMPERATURE RANGE	41°F – 68°F
DOOR STYLES	Full Glass Door Aluminum Trim, Solid Door
HANDLE	Integrated Grip
STORAGE RACKS – QUANTITY	11
STORAGE RACKS – TYPE	10 Rolling / 1 Adjustable
STORAGE RACKS – FRONT TRIM	Beechwood
SHELF EXTENSION	74%
SUGGESTED AMBIENT TEMPERATURE (F)	Glass Door: 32°F – 86°F Solid Door: 32°F – 95°F

*Maximum bottle capacity may vary depending on bottle size and shelf configuration.

ACCESSORIES

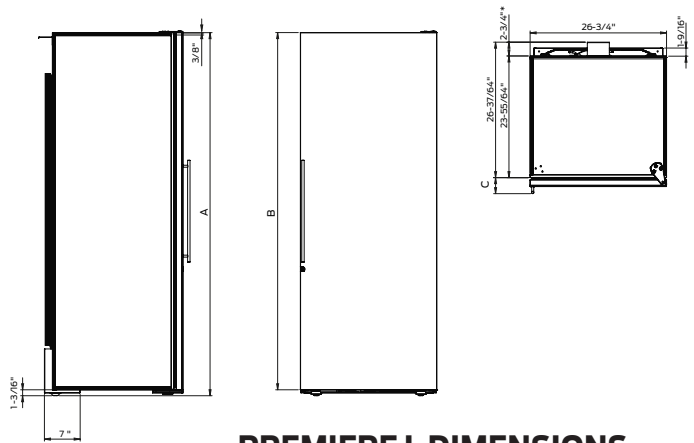
PRESENTATION SHELF	249 80 17X
CARBON FILTERS (4-PACK)	249 47 41

DOOR TRIM	TEMPERATURE ZONE	HINGE	SHELF TRIM	MODEL
Full Glass Door	Single Zone	Right Hinge	Beechwood Trim Shelves	235 28 01 3X
Full Glass Door	Single Zone	Left Hinge	Beechwood Trim Shelves	235 28 01 4X
Aluminum Trim	Single Zone	Right Hinge	Beechwood Trim Shelves	235 28 50 5X
Aluminum Trim	Single Zone	Left Hinge	Beechwood Trim Shelves	235 28 50 6X
Solid Door - Black	Single Zone	Right Hinge	Beechwood Trim Shelves	235 28 50 1X
Solid Door - Black	Single Zone	Left Hinge	Beechwood Trim Shelves	235 28 50 2X

EUROCAVE[®]
PREMIERE L
 WINE CELLAR



WINE CABINET INSTALLATION & FLUSH FITTING DIAGRAMS



PREMIERE L DIMENSIONS

	A (inch) ¹	B (inch)	C (inch) with Handle ²	
V-Prem-L	71-17/64"	70-1/16"	Black Piano Door ³	2-61/64"

*Rear Stop. Space for ventilation at the rear of the cabinet: 1-9/64".

1. Adjustable feet at the lower position.

2. For Full Glass and Black Piano doors only: depth of the door without handle: 1-49/64" / depth of the handle only: 1-3/16".

3. Only available on Pure and Revelation ranges.

DIMENSIONS & WEIGHT

WINE CELLAR DIMENSIONS	72"H x 27"W x 27¼"D
GROSS SHIPPING WEIGHT	Approximately 238 lbs.
NET WEIGHT	Approximately 202 lbs.

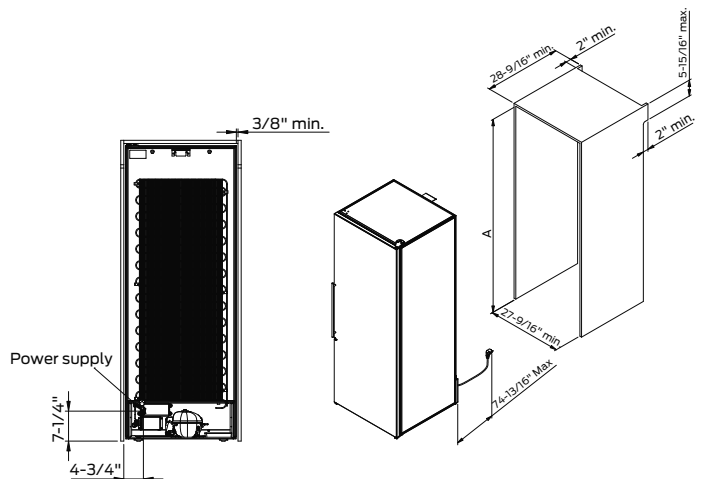
*Note: Full Glass Door adds 1¼ in depth.

ELECTRICAL

ELECTRICAL REQUIREMENTS	115V / 60HZ
RATED CURRENT	1.5 Amps
LIGHT POWER	Battery (4 AAA Batteries)
REFRIGERANT	R600a
ENERGY CONSUMPTION	Glass Door: 212 kwh/year Solid Door: 172 kwh/year
PLUG TYPE	Right Angle NEMA 5-15P Plug with SJT 3X18AWG Cord
BREAKER SIZE	15 Amp Line
DECIBEL RATING	38 dB(A)

Multiple Unit Note: If there is more than one cellar on a line, a 20 Amp circuit is required.

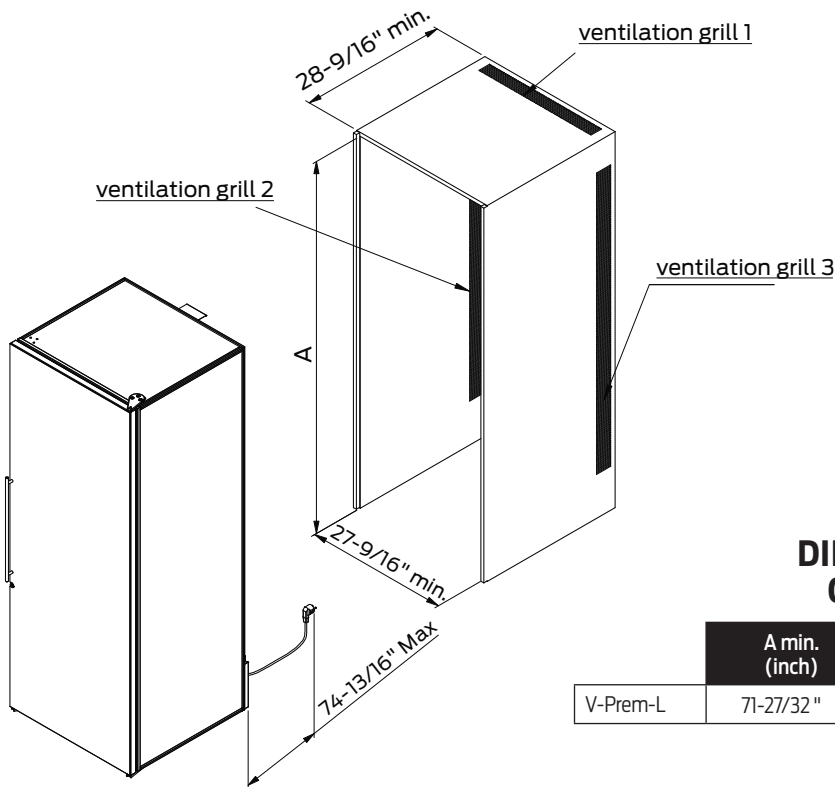
FLUSH-FITTING DIMENSIONS TO BE APPLIED



	A min. (inch)
V-Prem-L	71-27/32"

EUROCAVE[®]
PREMIERE L
 WINE CELLAR

WINE CABINET INSTALLATION & FLUSH FITTING DIAGRAMS



DIMENSIONS AND VENTILATION OPENINGS TO BE OBSERVED

	A min. (inch)	Ventilation Grill 1 (inch ²)	Ventilation Grill 2 (inch ²)	Ventilation Grill 3 (inch ²)
V-Prem-L	71-27/32 "	54-1/4 "	116-1/4 "	116-1/4 "

INSTALLATION

Place your cabinet in the desired location.

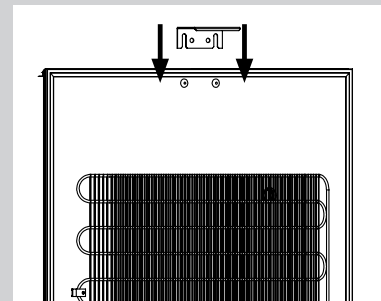
It must be open to the outside and well ventilated (not in an enclosed cupboard, for example), not be too damp (utility room, laundry room, bathroom...), have a flat, stable floor, be supplied with power (standard outlet, 16 A, earthed with 30mA* circuit breaker).

Take the lead (which you will find in your cabinet's "accessories" bag) and plug it into the socket, located at the back of the cabinet, on the bottom left-hand side (see diagram page 2). Wait 48 hrs before switching on your cabinet.

STOP INSTALLATION

Install the stop (which is located in the accessories bag) at the back of the cabinet (see diagram). This allows a space of 2-3/4 " inch to be maintained between the wall and the rear of the cabinet. This space allows your cabinet's power consumption to be optimized.

Place the 2 caps in the 2 holes at the top of the cabinet. Do not push the caps all the way in, allow the rear stop to be fitted. Slide the rear stop between the caps and the wall of the cabinet, then push the 2 caps all the way in.



*Not applicable to some countries.