

STACKABLE WINE RACK CUBE SOLID

PARTS & HARDWARE

A1. Left Side : 1 pcs : A1

A2. Right Side : 1 pcs : A2

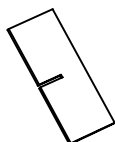
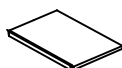
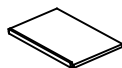
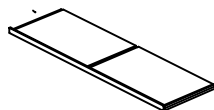
B. Top and Bottom Bar : 2 pcs : B

C. Center Shelf Bar : 1 pcs : C

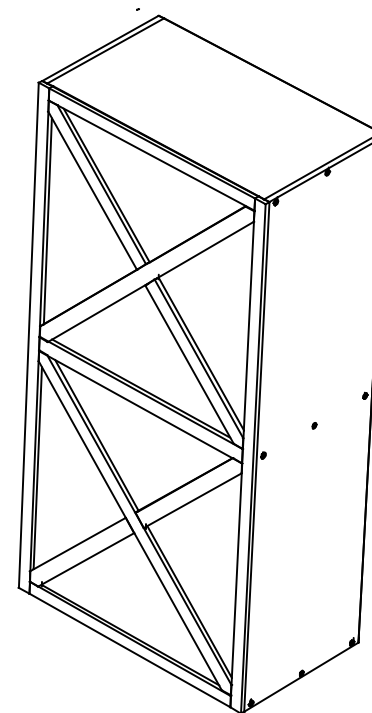
D. KD Bolt : 18 pcs : D

E. Center Cross Part : 4 pcs : E

F. Center Cross Trim Part : 4 pcs : F

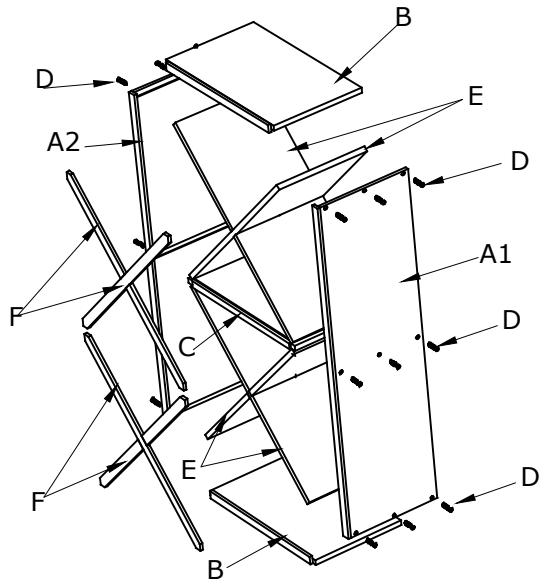


STACKABLE WINE RACK CUBE SOLID



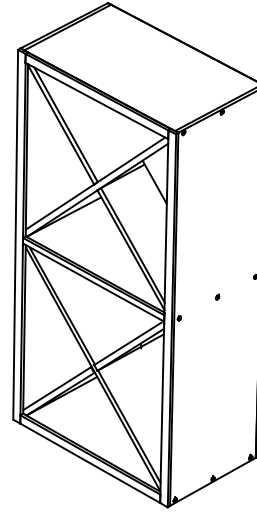
WineEnthusiast.com
800.356.8466

1

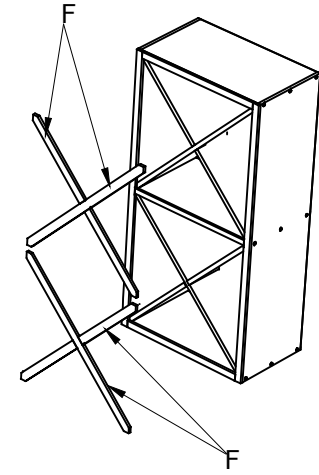


1. Picture (1) it shows Part and Hardware.
2. Attach the Left Side(A1), to the Top and Bottom Bar(B) With using KD Bolt (E), see picture (2).

4

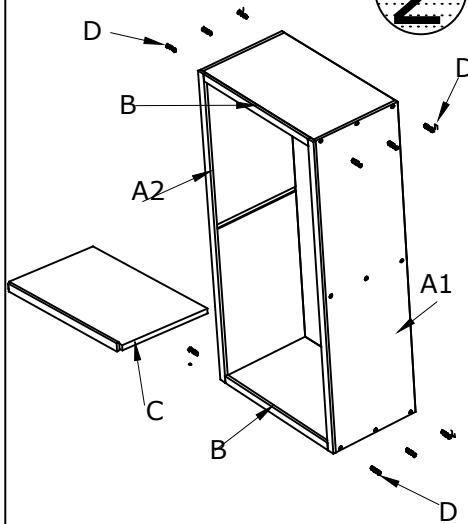


5

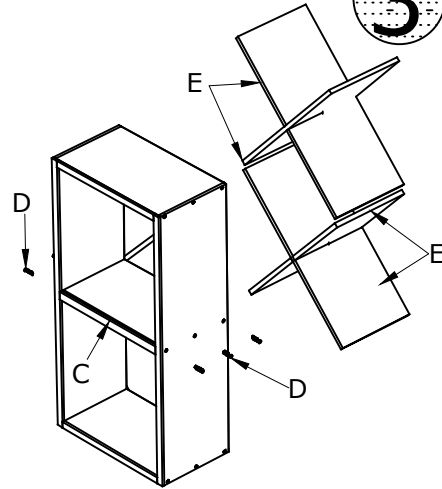


5. After all parts are installed, stand this rack up and then install The Center Cross Trim Part(F) on the Center Cross Part(E) by using air nailed, see picture (5).

2

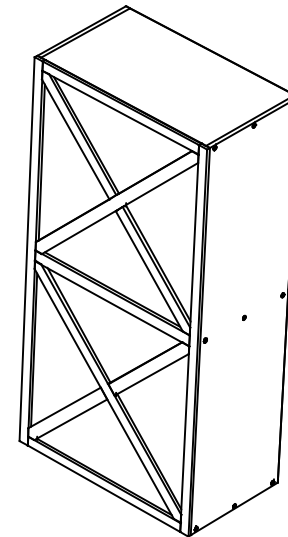


3



3. Then install Center Bar (C)) insert on the position, see on picture (3) completely installation.
4. Set the Center Cross Part (E), see picture (3) then insert to up and Bottom the Center Shelf Bar(C) See picture (4)

6



6. Picture (6) it shows Assembled Stackable Wine Rack Cube Solid