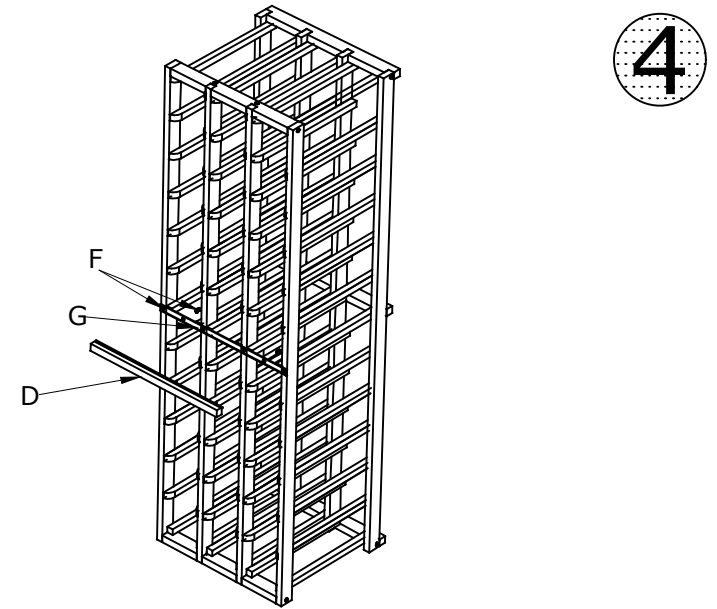


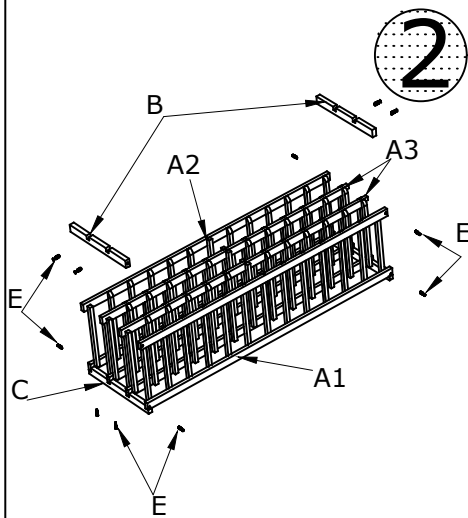
1

1. Picture (1) it shows Part and Hardware.

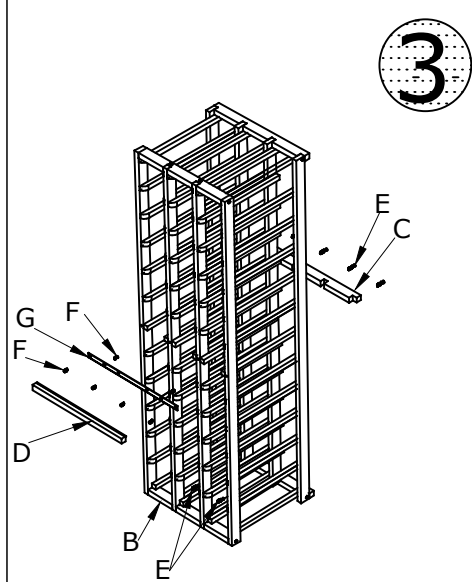


4

4. After all set stand this part then install metal Front Support(G) with screw (F) then install Center front Trim (D) with screw (F) from inside the rack, see picture (4).

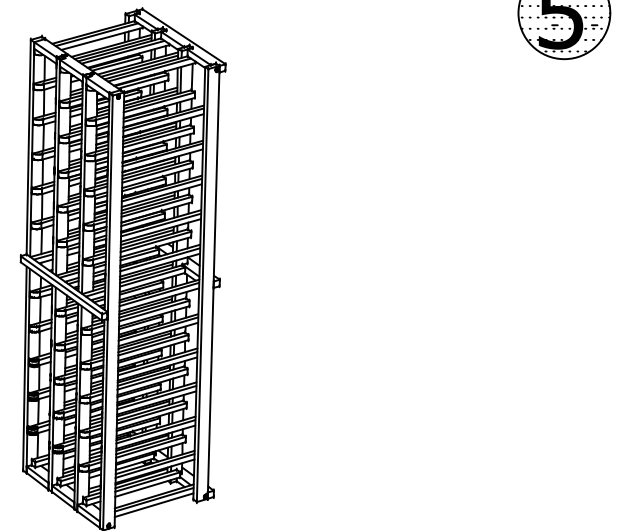


2



3

2. Attach the Left Part Side(A1), Right Part side (A2) and Center Part (A3) to the Top and Bottom Back Bar (B) With using screw (E), Do this by laying them on the floor, see picture 2.
3. Then install Top and Bottom Front Bar (B) With screw(E) from up and bottom bar(B), then install Center Back Support (C)with Screw(E),see on picture (3) completely in installation.



5

5. Picture 5 it shows Assembled Stackable Rack 3 Column Individual