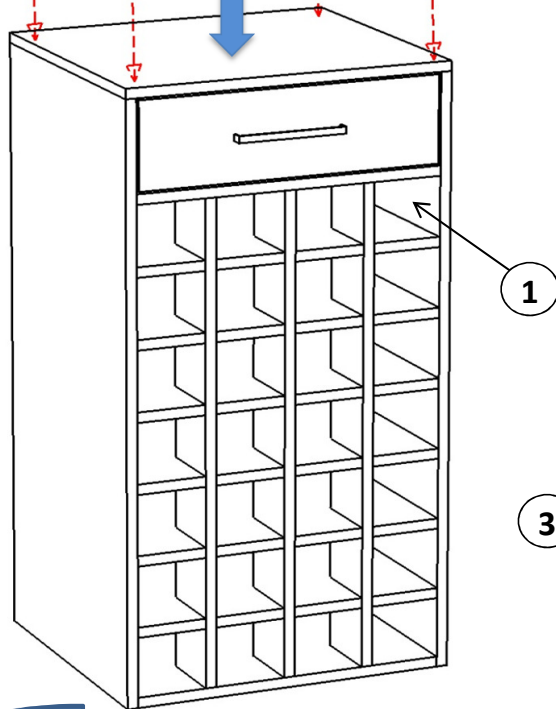
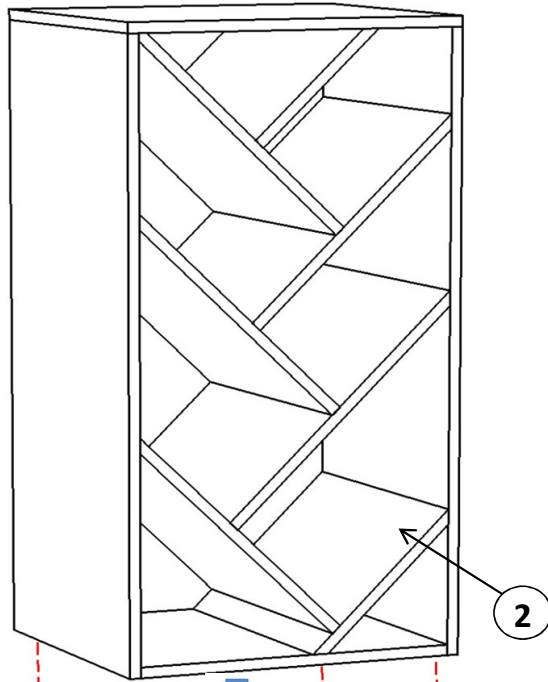


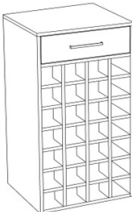
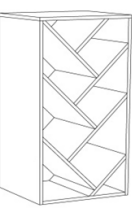
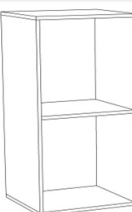

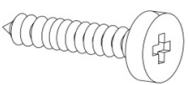


ASSEMBLY INSTRUCTION SHEET FOR MODULAR UNITS

CODE : 3359909, 3359910 & 3359911

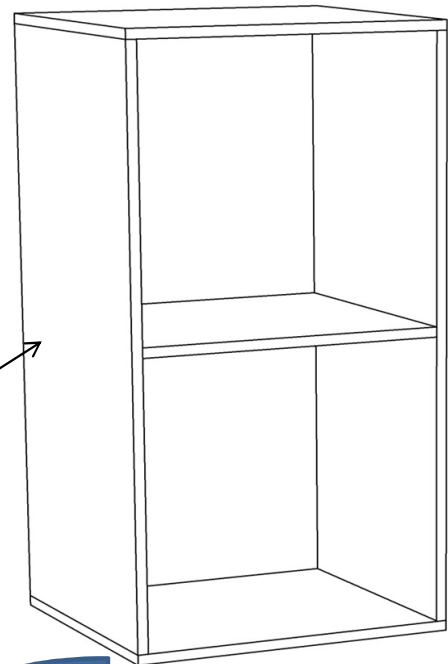
1



| | |
|--|--|
|  15 MIN |  |
| ①  X3 | ②  X1 |
| ③  X2 | A  X6 |
| B  X24 | |

1

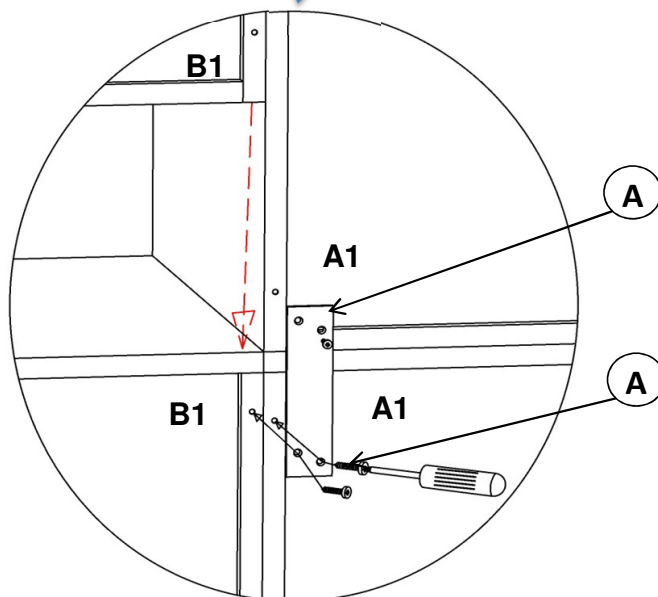
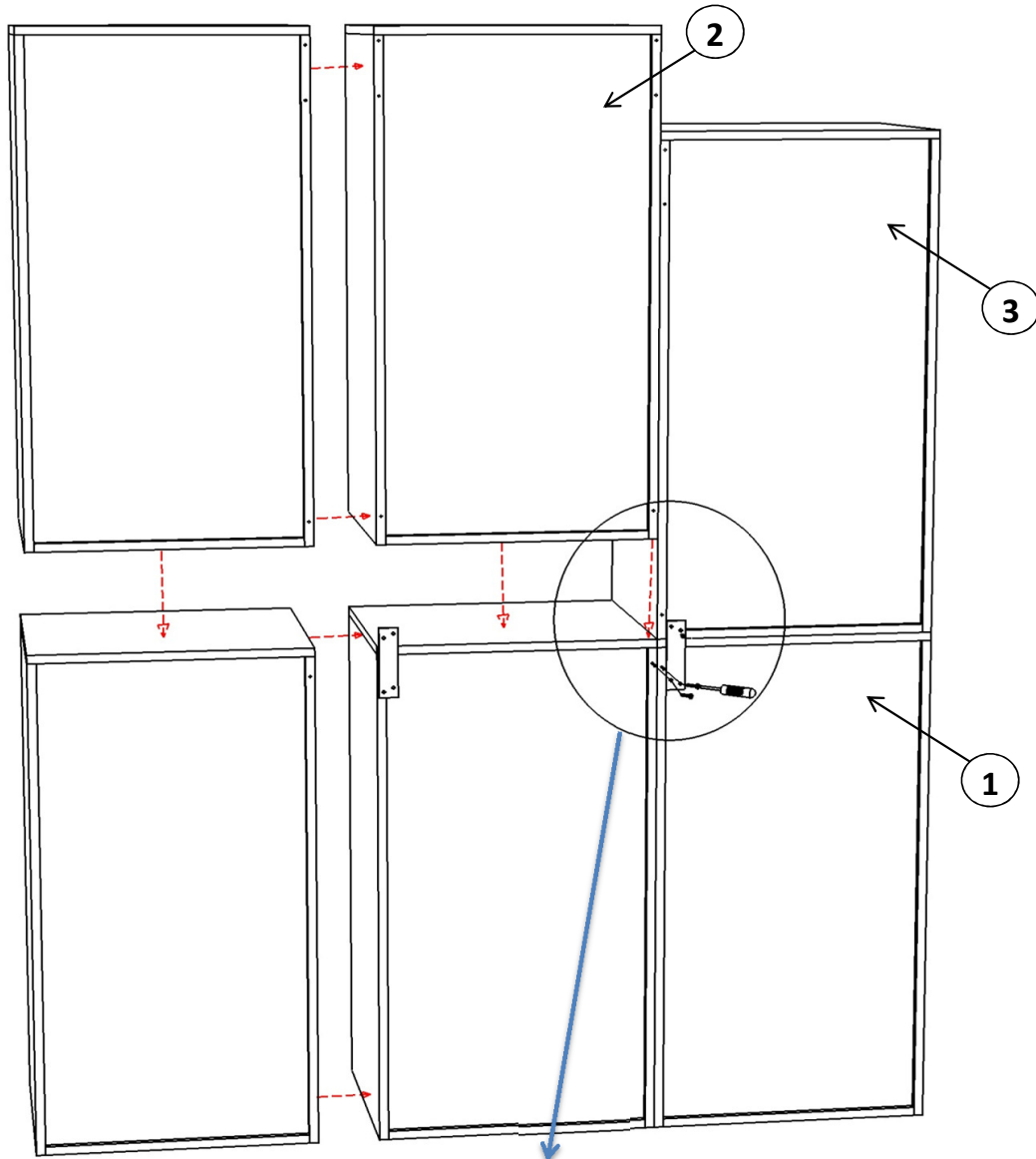
3



ASSEMBLY INSTRUCTION SHEET FOR MODULAR UNITS

CODE : 3359909, 3359910 & 3359911

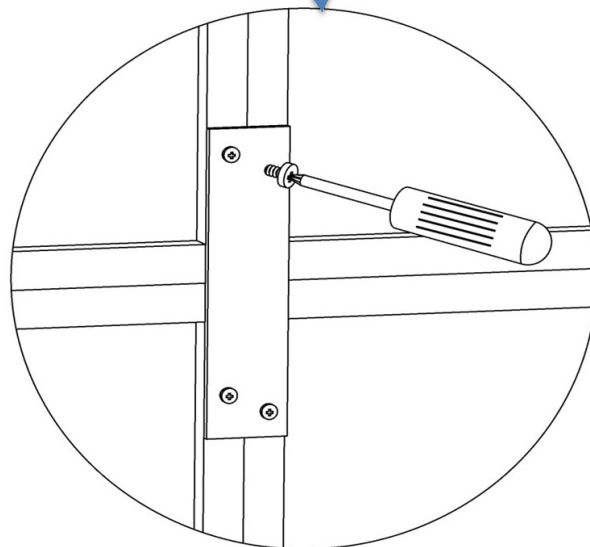
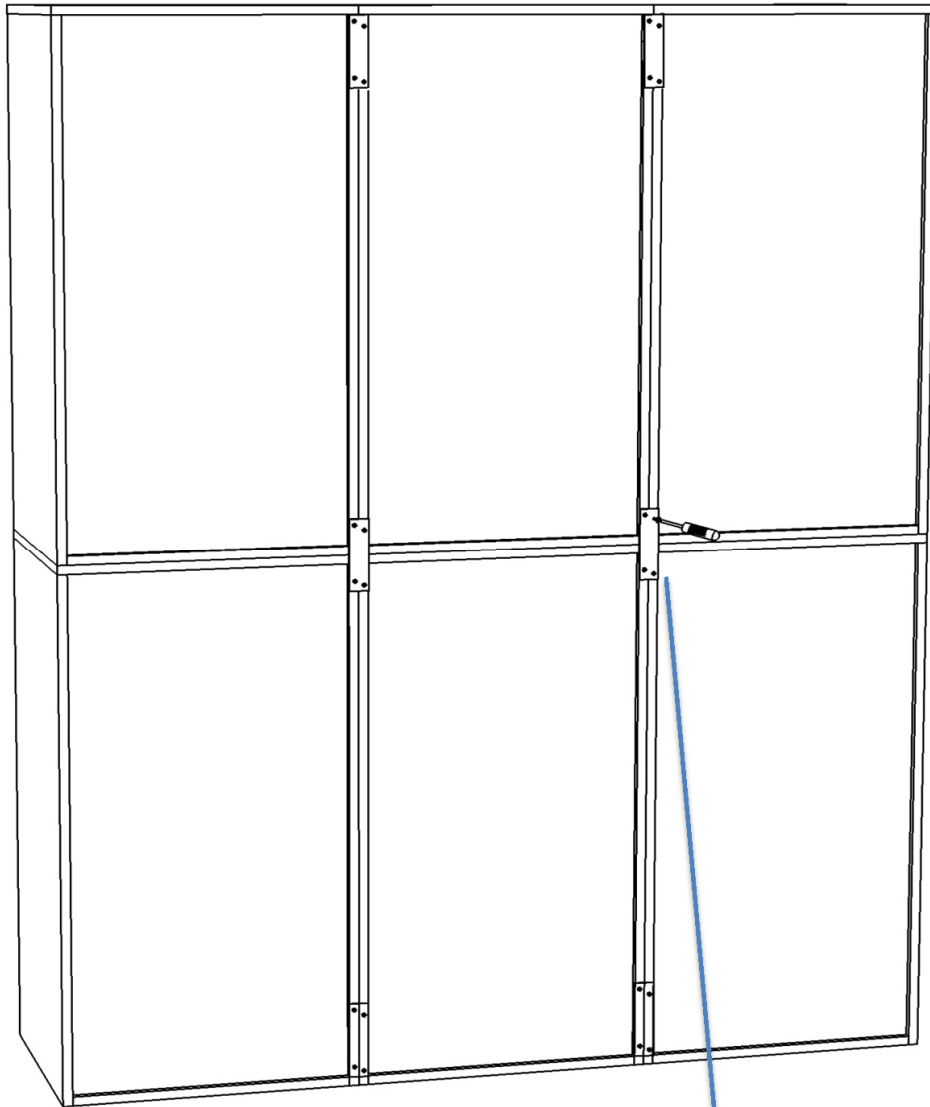
2



ASSEMBLY INSTRUCTION SHEET FOR MODULAR UNITS

CODE : 3359909, 3359910 & 3359911

3



ASSEMBLY INSTRUCTION SHEET FOR MODULAR UNITS

CODE : 3359909, 3359910 & 3359911

4

