

VintageView®

WINE STORAGE SYSTEM

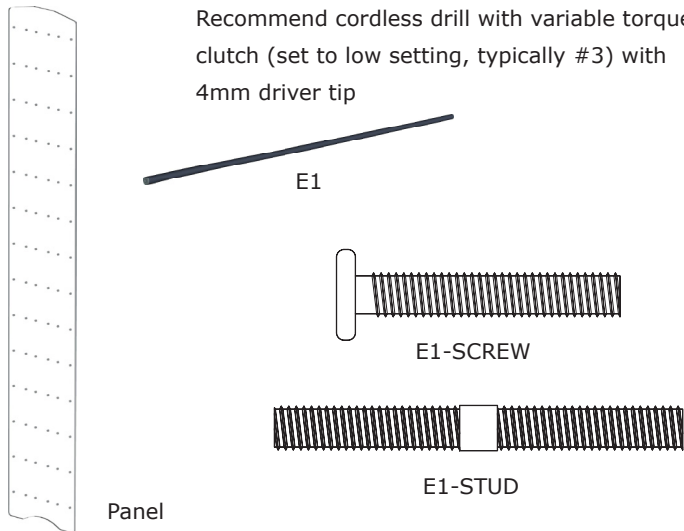
Evolution (E1) Assembly Instructions

Wine Master Cellars, LLLP • 10645 E 47th Ave, Denver, CO 80239 • phone: 866.650.1500 • fax: 866.650.1501

Please feel free to contact us regarding the assembly of this product.

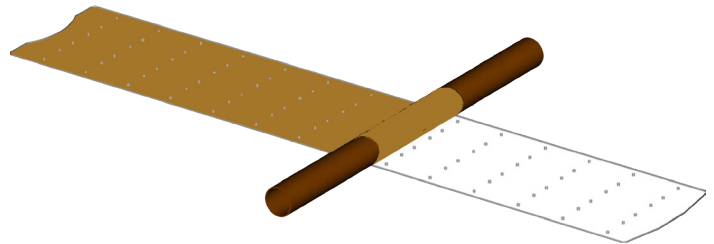
Required tools: 4mm Hex Wrench (included)

Recommend cordless drill with variable torque clutch (set to low setting, typically #3) with 4mm driver tip



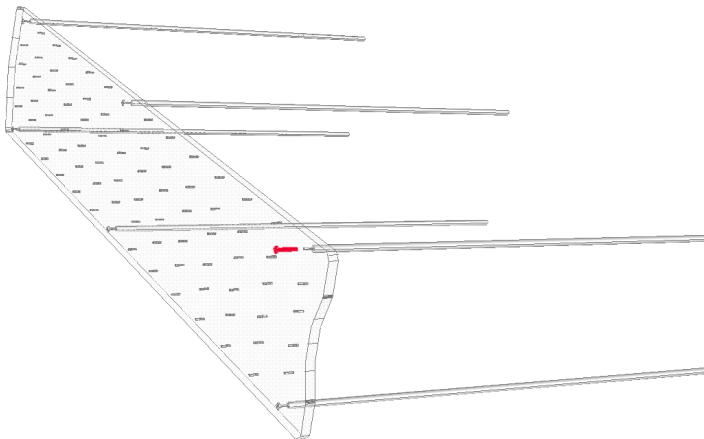
1. **Prepare the Panels** - Remove the protective paper film from both sides of the panels. Acrylic can scratch relatively easily, so do *not* use anything sharp such as a razor blade to remove the film.

Tip: Start peeling the top edge of the film with a fingernail and slowly roll the film over the outside of an empty cardboard tube from the E1 bottle support rods.

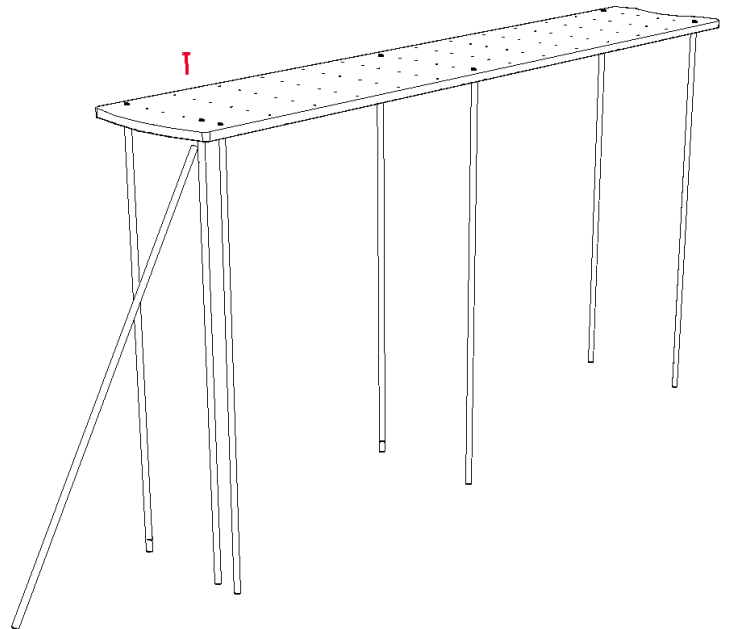


2. **Attach E1's to Corners and Middle of the First Panel** - Lay one panel down on its narrow edge on a clean soft surface such as carpeting, blanket or towel, being careful not to scratch the panel. Insert an E1-SCREW through the hole in one of the bottom corners. Align the end of the E1-SCREW with the threads on the end of an E1 and fully tighten, being careful to not over tighten as this may damage the panel, the threads in the E1 or both. Repeat this process for the other 3 corners and the middle row.

Tip: A cordless drill with a 4mm driver tip will save considerable time during assembly. Be sure to use a low torque setting, typically around #3, on your drill's clutch, if so equipped, to prevent damaging any components from overtightening.

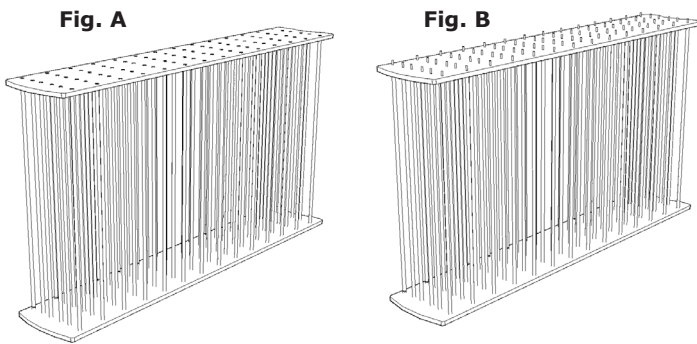


3. **Attach E1's to Remaining Holes in Panel** - Carefully lift the panel to stand on the unsecured ends of the E1's, like a table. Align the top of an E1 with a hole and pivot the rod into place and secure with an E1-SCREW. Repeat this process for the remaining holes.



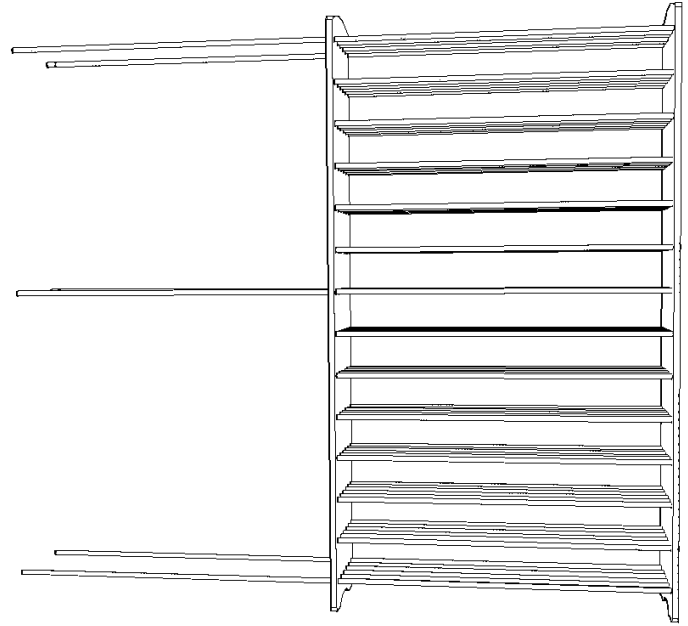
4. Affix the Second Panel – Carefully lift and rotate the partially assembled unit to rest on the panel with the unsecured ends upright, like a bed of nails. Lay the second panel on the ends of the E1's and one at a time, align each E1 with the corresponding hole and secure it in place with an E1-SCREW (**Fig. A.**). If assembling a multi-section unit, use the E1-STUD instead (**Fig. B.**). It is recommended that the E1's be secured row-by-row working down the panel, as this will allow the easiest alignment of the E1 with the holes. For single section units, the assembly is complete, skip to **Step 6.**

Tip: The E1-STUD's may be quickly screwed in by *gently* tightening them in the chuck of a drill with approximately 3/4 of the stud exposed, screwing them in until the flat spot in the middle of the stud is just below the surface of the panel and then releasing the end of the stud from the chuck.

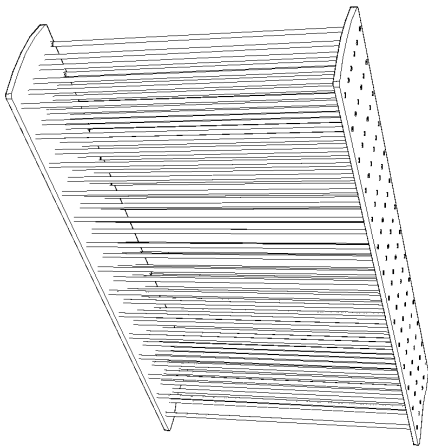


5. Attach the E1's to Exposed Studs (for Extensions only) – With all of the studs installed, begin securing the panel in place by installing E1's along the top, middle and bottom rows. Once the second panel is firmly locked in place, the unit may be stood upright for ease of access while installing the remaining E1's.

Tip: The E1's may be quickly installed by *gently* tightening one end of the tube in the chuck of a drill and screwing the other end onto the exposed E1-STUD. Remember to keep the drill set at a low torque so as not to overtighten or damage anything.



6. Secure to Wall – It is highly recommended that all units be secured to a wall for optimal stability. This may be accomplished by either directly fastening a panel to the wall by pre-drilling a hole through the panel and screwing or bolting into the wall or by using an "L" bracket. Please contact your VintageView dealer for information regarding brackets of custom shapes or sizes.



Lifetime Warranty

Wine Master Cellars, LLLP (WMC) warrants to the original consumer-purchaser that this product shall be free from defects in workmanship and materials under normal and reasonable use for the lifetime of the product. WMC will, at its option, refinish or replace any product or part found to be defective during the warranty period and excludes installation charges, shipping costs, and the cost of removal and reinstallation. WMC may require you to return the part(s) claimed to be defective, for its inspection - freight or postage prepaid.

This warranty does not include the cost of any inconvenience or property damage due to the failure of the product and does not cover damage due to Devine Act, third party act out of the control of WMC, misuse, abuse, accident, or damage arising out of transportation of this product. **THIS WARRANTY IS EXCLUSIVE AND IN LIEU OF ALL OTHER OBLIGATIONS, LIABILITIES OR WARRANTIES AND THERE IS NO WARRANTY OF MERCHANTABILITY OR FITNESS FOR A PARTICULAR PURPOSE.**

In no event shall WMC be liable or responsible for INCIDENTAL OR CONSEQUENTIAL DAMAGES or for any other direct or indirect damage, loss, cost, expense, or fee. Neither the WMC distributor nor the retail establishment selling this product has any authority to make any warranties or to promise remedies in addition to or inconsistent with those stated above. WMC's maximum liability, in any event, shall not exceed the purchase price of the product paid by the original consumer-purchaser.

All matters regarding the sale of the product or this warranty shall be governed by the laws of the state of Colorado and the exclusive jurisdiction of and venue for any warranty claims or claims directly or indirectly related to the sale of the product shall be Colorado. Any claim, or action relating the purchase of the product or this warranty must be filed no more than six (6) months after the date the claim arose. All statute of limitations to the contrary are waived.

Some states do not allow the exclusion or limitation of incidental or consequential damages. In such case, the above limitations or exclusions may not be applicable. This warranty gives you specific legal rights and you may also have other rights which vary from state to state.

Please call us toll free at 866-650-1500 for assembly assistance or to request replacement parts.

www.VintageView.com