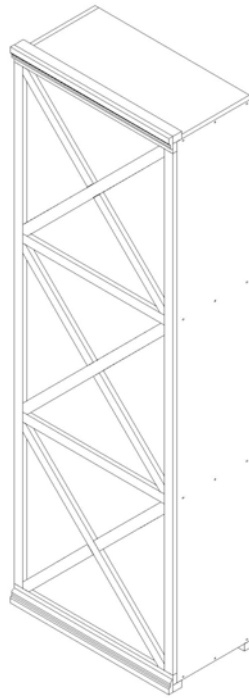


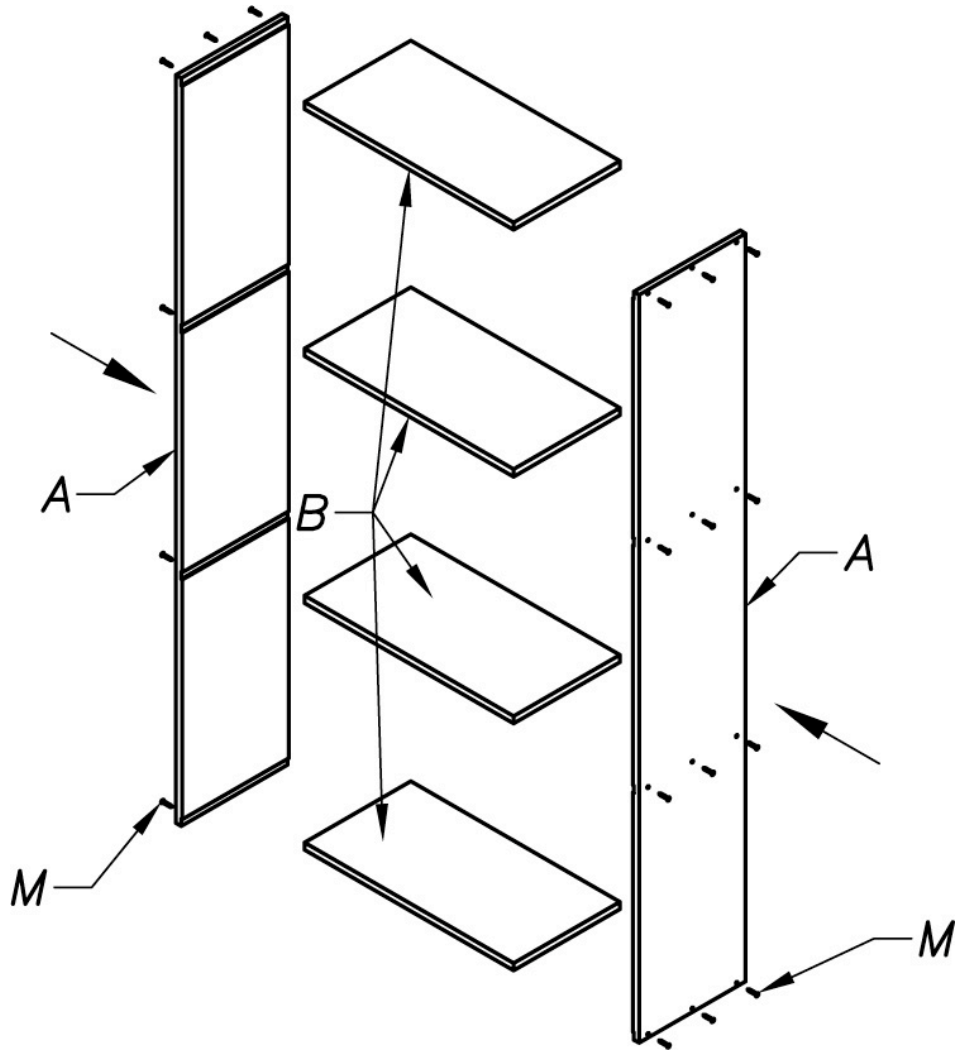


INFINITY DIAMOND CUBE WINE RACK

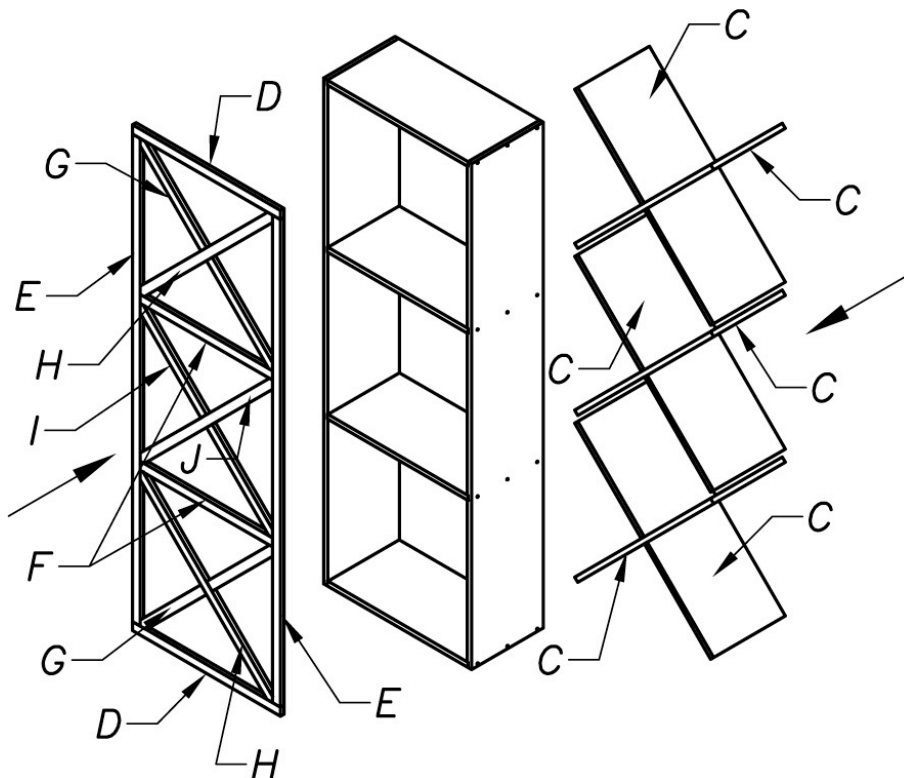
PARTS	DESCRIPTION	INCLUDED PIECES
A	RIGHT AND LEFT BOARD	2
B	CENTER BOARDS	4
C	CROSS BOARDS	6
D-J	FRONT TRIM	12
K	MOLDING	2
L	BOTTOM BAR	1
M	SCREWS	24

Tools needed: Philips screwdriver, rubber mallet, brad nail gun (only for front face trim)

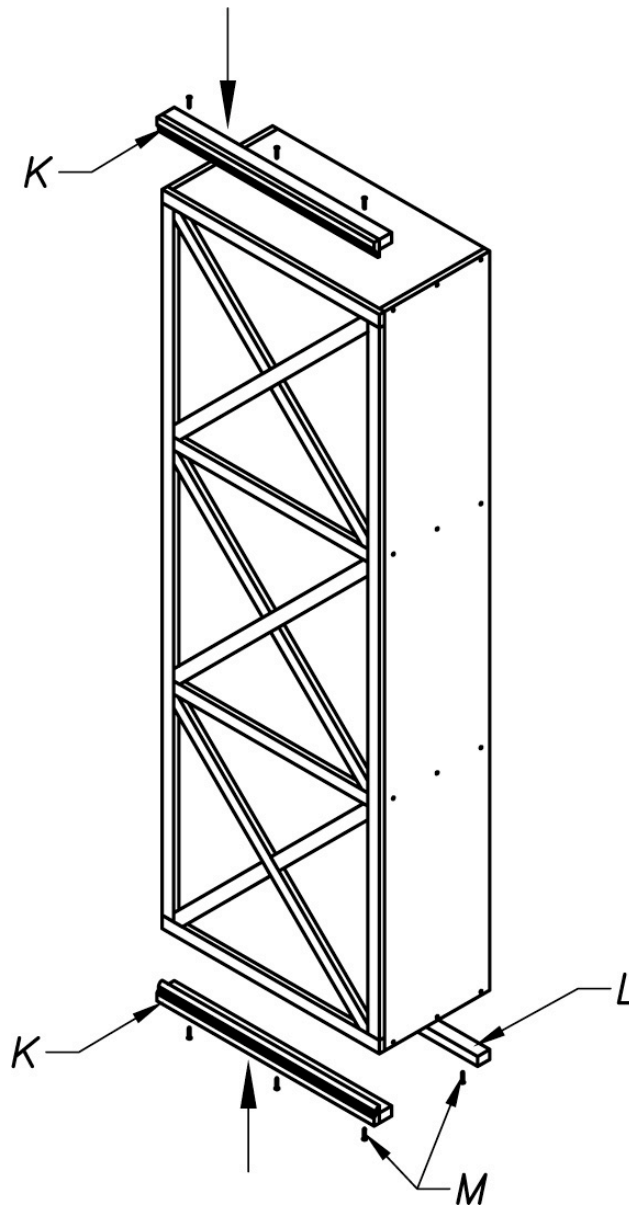




1. Attach the right and left boards (A) to the center boards (B) using screws (L). Do not tighten screws completely. This will allow easier installation of cross boards.



2. Arrange the cross boards (C) in an X pattern and slide them into place as shown above. You can now fully tighten all screws.
3. The front trim is optional and requires the use of a nail gun and may require some trimming to fit correctly. If you wish to install, arrange the pieces as shown above and nail into place.



4. Attach the bottom bar (L) to the rear underside and molding (K) to the front underside of the wine rack using screws (M).
5. Attach molding (K) to the top front using screws (M).
6. The final step is securing you wine rack to a wall using the brackets provided. If you cannot locate the wine rack on a stud you will have to use the dry wall anchors provided.
7. Attach the bracket to the top of the rack first using the screws provided with the bracket. Drill 2 small pilot holes into the top of the wine rack. Place bracket over the pilot holes and slowly insert screws so as not to split the wood. Drill 2 pilot holes into the wall, insert plastic anchors and attach the brackets to the wall.