




## 6 - ARRANGEMENT - STORAGE

 Your wine cabinet EuroCave has been designed to evolve. Depending on the model, it can be adapted to your requirements and be modified in terms of storage.

### Various storage methods



**Universal storage shelf**  
Ref.: AXUH

Capacity: 77 bottles  
Max. weight: 100 kg




**Universal sliding shelf, fitted with the "Main du sommelier"**  
Ref.: ACMS

Capacity: 12 bottles



**Magnum sliding shelf, fitted with the "Main du sommelier"**  
Ref.: ACGMS

Capacity: 7 bottles



**Storage shelf Bordeaux**  
Ref.: AXBH

Capacity: 78 bottles  
Max. weight: 100 kg



**Tasting sliding shelf**  
Ref.: ACVH

Capacity: 20 bottles



**Articulated presentation kit for ACMS shelves**  
Ref.: AOPRESAR

Capacity: 32 bottles



**Présentation shelf**  
Ref.: ACPH

Capacity: 22 bottles



**Champagne sliding shelf**  
Ref.: ACHH

Capacity: 10 bottles

The layout of your wine cabinet can be modified according to your requirements. Refer to pages 72 to 78 to look at arrangement examples.

### Advice on arranging your wine cabinet

Your EuroCave wine cabinet has been designed to store a maximum number of bottles in total safety. We recommend that you abide by the following few suggestions in order that the maximum storage capacity can be obtained.

- Make sure that you distribute your bottles as evenly as possible onto the various shelves contained in your cabinet so as to spread the weight equally. Also take care that your bottles do not touch the cabinet's back wall.
- Make sure you distribute your bottles evenly throughout the height of the wine cabinet (avoid loading all bottles at the top or all bottles at the bottom).
- Be sure to observe the storage recommendations in accordance with the type of storage facility provided by your cabinet. Never stack more than one layer of bottles on a sliding shelf.

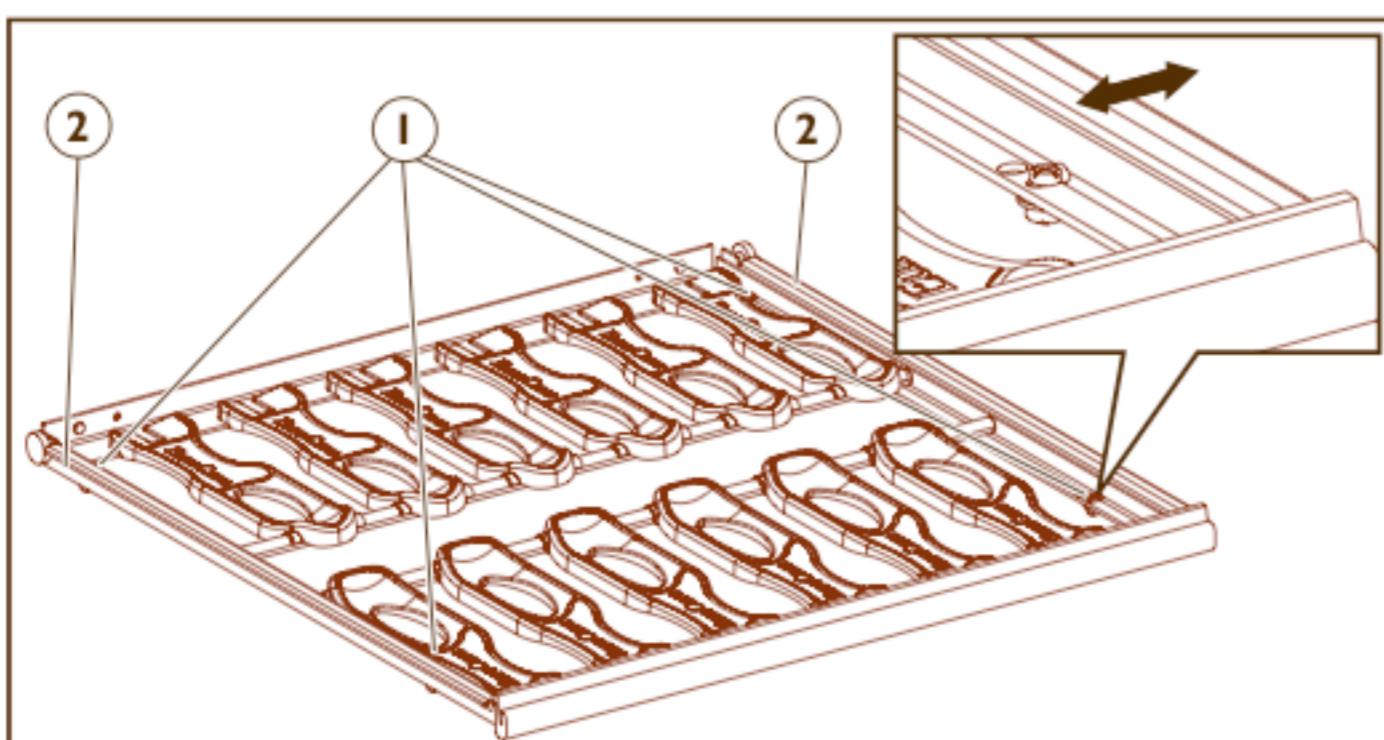
- If you have sliding shelves, for easy day to day access it is a good idea to place them in the upper part of your wine cabinet.
- **For this reason, place one or two bottles of each of your various wines on the sliding shelves and your reserve stock on the storage shelves. Then all you have to do is top them up as required.**
- **When using your wine cabinet, never pull out more than one sliding shelf at a time.**

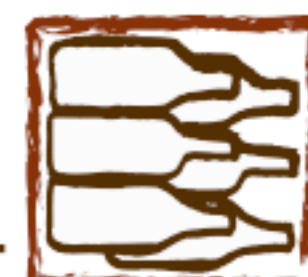


**Warning:** Never modify the position of your wine cabinet's bracing bar (see description on page 5) without first consulting your dealer, and never manoeuvre this part when the cabinet is stocked.

### Adding sliding shelves

When you purchase your wine cabinet, the dimensions of the sliding shelves have been adjusted so that they fit perfectly into the interior of your cabinet. In the event that you purchase another sliding shelf, if necessary, you can adjust it yourself. To do this, loosen the right and left screws ① of the first slider ② (2 screws), then adjust the slide to the width required and retighten the screws. Repeat the procedure for the second slider (if required).

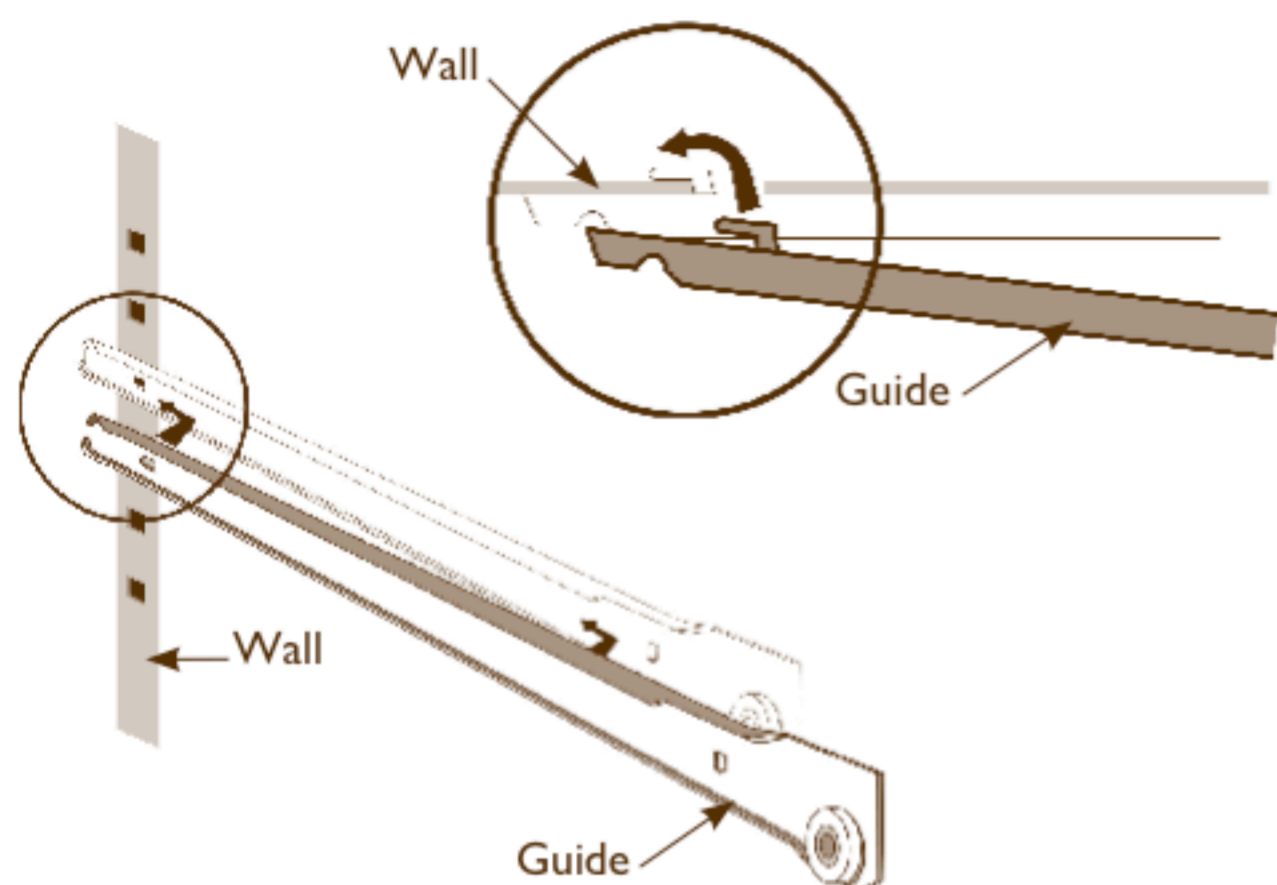




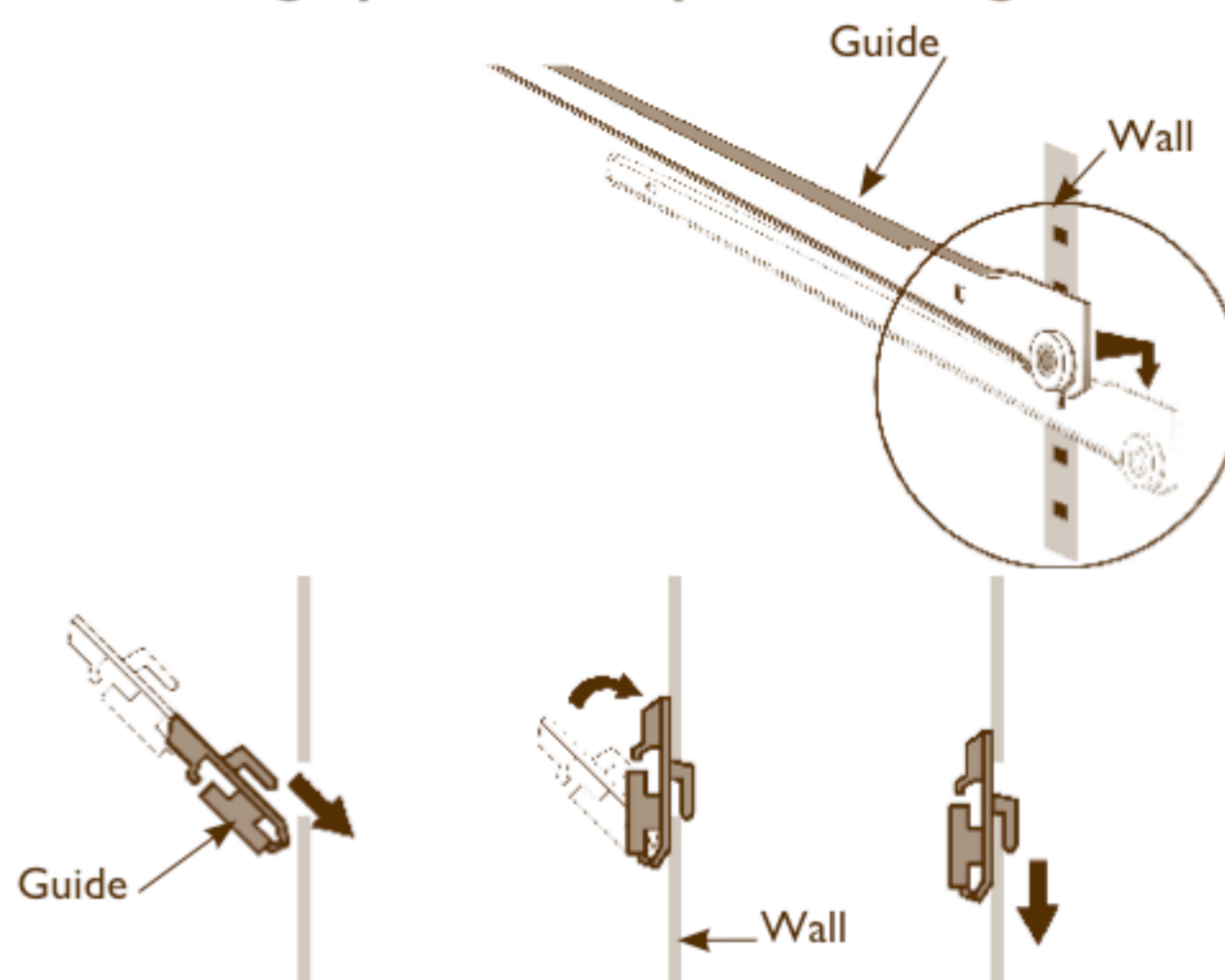
## Change position of a sliding shelf

- Fully unload the sliding shelf.
- Then lift out the sliding tray by sliding it forwards whilst at the same time lifting it from the front.
- Find the runner guides on the left and right and remove.
- Reinstall them in the new position (see diagram below).

### A. Setting up the rear part of the guide



### B. Setting up the front part of the guide



### C. Then replace the sliding shelf

